

EN INSTANTANEOUS ELECTRIC WATER HEATER

RUS ПРОТОЧНЫЙ ЭЛЕКТРИЧЕСКИЙ ВОДОНАГРЕВАТЕЛЬ




UA ПРОТОЧНИЙ ЕЛЕКТРИЧНИЙ ВОДОНАГРІВАЧ

KZ ЛЕЗДІК ЭЛЕКТР СУ ҚЫЗДЫРҒЫШЫ

GE მყისიერი ელექტრო წყლის გამაცხელებელი

GENERAL SAFETY INSTRUCTION

1. This manual is an integral part of the product. Keep it with care with the appliance, and hand it on to the next user/owner in case of change of property.
2. Read the instructions and warning in this manual carefully, they contain important information regarding safe installation, use and maintenance.
3. The appliance must be installed and commissioned by a qualified technician in accordance with local legislation and health and safety regulations. All power circuits must be shut off before you open the terminal block.
4. **DO NOT** use the appliance for any other than its specified use. The manufacturer is not liable for damage resulting from improper or incorrect use or failure to observe the instructions given in this manual.
5. Incorrect installation can result in damage to property and injury to persons and animals; the manufacturer is not liable for the consequences.
6. **DO NOT** leave the packaging materials (staples, plastic bags, expanded polystyrene, etc.) within the reach of children - they can cause serious injury.
7. **This appliance can be used by children aged from 3 years and above and persons with reduced physical, sensory or mental capabilities or lack of experience and knowledge if they have been given supervision or instruction concerning use of the appliance in a safe way and understand the hazards involved. DO NOT permit children to play with the appliance. User cleaning and maintenance may not be done by unsupervised children.**
8. Any repairs, maintenance, plumbing and electrical hookup must be done by qualified technicians using original spare parts only. Failure to observe the above instructions can compromise the safety of the appliance and relieves the manufacturer of any liability for the consequences.
9. The hot water temperature is regulated by a thermostat which also acts as a safety device to prevent dangerous overheating.
10. The electrical hookup must be done as indicated in this manual.
11. If the appliance is equipped with a power cord, the latter may only be replaced by an authorised service centre or professional technician.
12. Make sure to drain the appliance when it is out of service or in an area subject to subzero temperatures.
13. Do not leave flammable materials in contact with or in the vicinity of the appliance.
14. **DO NOT** touch the appliance when barefoot or if any part of your body is wet
15. Before using the device and after routine or extraordinary maintenance, we recommend filling the appliance's tank with water and draining it completely to remove any residual impurities.
16. Do not place anything under the water heater which may be damaged by a leak.

Symbol	Meaning
	Failure to observe this warning can result in injury, which may even be fatal in certain circumstances
	Failure to observe this warning can result in damage or injury, even to property; plants and animals
	Observe the product's general and specific safety instructions.

GENERAL SAFETY STANDARDS

Ref.	Warning	Risk	Symbol
1.	Do not open the appliance or remove from its installation	Electrocution hazard due to the presence of live electrical equipment. Personal injury -overheated burns caused by components and wounds caused by sharp edges	
2.	Do not start or stop the appliance by inserting/pulling the power plug	Electrocution hazard due to damage to the power cord, its plug or the socket	
3.	Do not damage the power cord	Electrocution hazard due to bare live wires	
4.	Do not leave objects on the appliance	Personal injury due to objects falling off the appliance as a result of vibration	
		Damage to the appliance or other property due to objects falling off the appliance as a result of vibration	
5.	Do not climb onto the appliance	Personal injury due to falling off the appliance	
		Damage to the appliance or other property due to the appliance itself detaching from its mounting	
6.	Do not clean the appliance without having first switched it off, pulled its power plug or shut off its power switch	Electrocution hazard due to the presence of live electrical equipment	
7.	Install the appliance to a solid wall which is not subject to vibration	Danger of the appliance falling off the wall due to structural collapse, or noisy operation	
8.	Make the electrical hookup with cables of adequate cross-section	Danger of fire due to overheating of undersized electrical wires	
9.	Restore all safety and control functions after working on the appliance and check that they are operational before returning it to service	Damage or blocking of the appliance due to improper control	
10.	Drain all components containing hot water, using the bleed cocks, before handling them	Danger of burns	
11.	Descal the system as given in the products "safety sheet"; when doing so, ventilate the room, wear safety clothing, make sure not to mix products, and protect the appliance itself and any adjacent objects	Personal injury due to contact of the skin and eyes with acid, inhalation or ingestion of noxious chemicals	
		Damage to the appliance and adjacent objects due to corrosion by acid	
12.	Do not use insecticides, solvents or aggressive detergents to clean the appliance	Damage to plastic and painted parts and assemblies	

TECHNICAL CHARACTERISTICS

For the technical specifications, refer to the nameplate (the nameplate is located on the right side of the water heater).

PRODUCT INFORMATION					
Model	AURES M 6	AURES M 7.7	AURES M 8	AURES M 10.5	AURES M 12 TR
Power (kW)	6-7.1	7.7-9.1	8-9.5	10.5-12.5	12-12.9
Voltage (V)	220-240	220-240	220-240	220-240	400-415
Phases	Mono				Three-phase
Installation	Multi point				
Construction	Close outlet				
Frequency (Hz)	50/60				
Electric current (A)	29.6	37.9	39.6	52.1	17.9
Electrical diagram	II	II	II	III	V
Water Protection	IP25				
Pipe Connection	1/2" BSP				
Minimum water flow (l/min)	2.1				
Gelec (kWh)	2.119	--	--	--	--
Max water pressure	800 kPa (8 bar)				
Load profile	XXS	--	--	--	--
Lwa (dB)	15			--	--
η_{wh}	40%	--	--	--	--
Rated Volume (l)	0,35				
Weight (kg)	2			2.2	2.2
Dimensions (mm)	304 x 180 x 110			304 x 220 x 110	

The power consumption data in the table and the other information given in the Product Data Sheet (Enclosure A to this manual) are defined in relation to EU Directives 812/2013 and 814/2013.

The products without the label and the data sheet for water heaters and solar devices, stipulated in regulation 812/2013, are not intended to be used in such assemblies.

Products equipped with a regulator knob have the thermostat positioned in the <ready to use setting indicated in the Data Sheet (Enclosure A), according to which the relevant energy class has been declared by the manufacturer.

The product should be connected only to a supply with the relevant system impedance no more than 0.237 ohm.

Restrictions to connection may be imposed by the supply authority on the use of equipment in the actual relevant system impedance at the interface point on the user's premise exceeds 0.237 ohm.

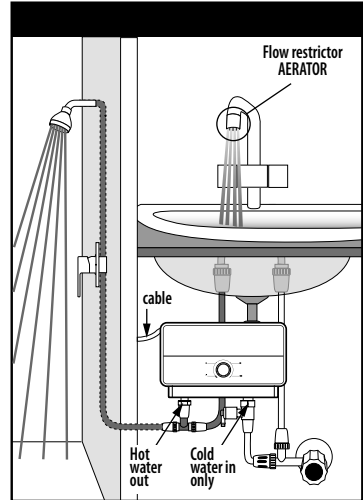
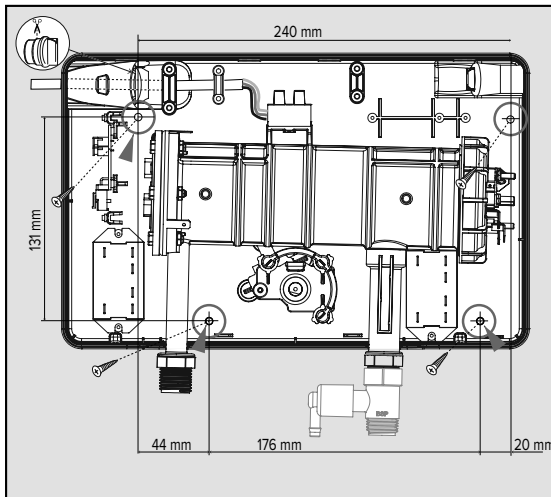
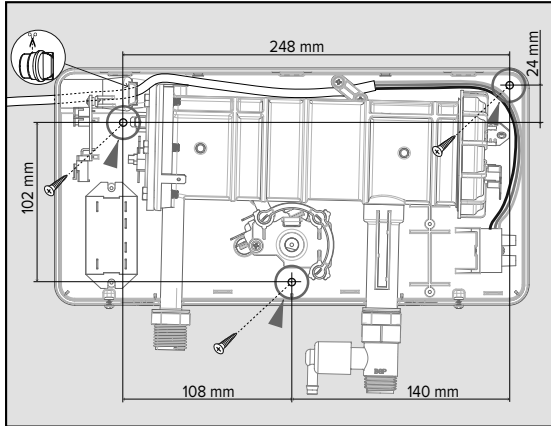
This appliance is conforming with the international electrical safety standards IEC 60335-1 and IEC 60335-2-35. When present, The CE marking of the appliances attests its conformity to the following EC Directives, of which it satisfies the essential requisites:

- LVD Low Voltage Directive: EN 60335-1, EN 60335-2-35, EN 60529, EN 62233, EN 50106.
- EMC Electro-Magnetic Compatibility: EN 55014-1, EN 55014-2, EN 61000-3-2, EN 61000-3-3, EN 61000-3-11 and EN 61000-3-12.
- ERP Energy related Products: Eu812, Eu814, EN50193-1-2013


Installation Instructions:

The appliance must be installed and commissioned by a qualified technician in accordance with established regulations and local health and safety regulations..

1. Before performing any operations, disconnect the appliance from the electricity mains using the external switch.
2. Open the two screws located at the bottom of the device and remove the cover from base.
3. Fix the base horizontally against a wall or side of cabinet, the inlet and outlet water pipes are on the down/bottom side of the unit. Use the mounting screws provided.



4. Use the supplied water filter on the inlet water pipe line (see diagram)

5. Connect the incoming water line (cold only) to the inlet water pipe on the bottom right side and the outgoing water line to the outlet water pipe on the bottom left side. Open the mains cock of water supply and check there is no water leakage from the unit.
6. Use a all pole switch conforming with national laws in force (contact gap of at least 3 mm, preferably equipped with fuses) to disconnect the appliance's power supply.
7. Connect the power cable to the terminal block inside the unit. The appliance must be earthed and the earth cable must be fixed to the terminal marked by the symbol .
8. Turn on the unit and check that it is operating as required.
9. Reconnect the cover to the base with 2 screws.
10. It is required that a Ground Fault Circuit Interrupter/Earth Leakage Circuit Breaker be incorporated in the circuit.

11. Make sure to install in the right way the pressure relief valve (supplied with the product) before Inlet pipe.**12. It is required to install a flow control restrictor (AERATOR) at the sink or shower.****13. WARNING: UNIT MUST BE PROPERLY GROUNDED****14. THIS HEATER MUST HAVE ITS OWN INDEPENDENT CIRCUIT USING A CORRECTLY RATED CIRCUIT BREAKER AND SUITABLE WIRE, SEE TABLE RECOMMENDED CABLE.**

WARNING: If the supply cord is damaged, it must be replaced by the manufacturer, its service agent or similarly qualified persons in order to avoid a hazard.

OPERATING INSTRUCTIONS

1. Your new Instant Water Heater is flow activated. Regulate the knob in one of the 3 setting power (I, II, III) the product will switch ON and turn on the hot water tap. the heating element will work and warm the water only when there is a flow of water through the appliance.. You will need to allow at least 2.1 liters per minute to flow through the unit in order to activate the Instant Heating System. Run water through the heater for a few minutes.
2. Be sure to every so often clean the spray head from sediment to assure a smooth water flow.
3. Be sure to every so often clean the incoming water filter.
4. Be sure to install your Instant Water Heater in a heated location. The appliance cannot be installed in areas where the temperature may drop critically and there may be a risk that ice may form.
5. The user can adjust the hot water temperature regulating the setting power on the unit. the user can choose till 4 setting power position:
 - O - Heating element is off
 - I - Only the 1st Heating element switches on.
 - II - Only the 2nd heating element switches on.
 - III - 1st and 2nd heating elements switch on, working together.

INSTALLATION REQUIREMENTS

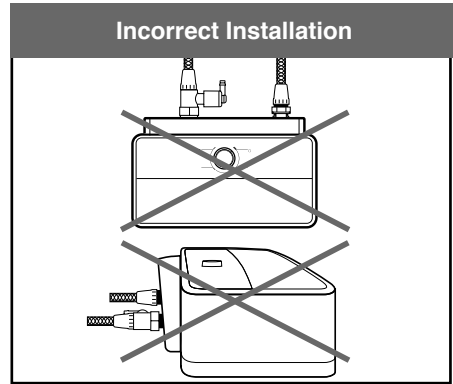
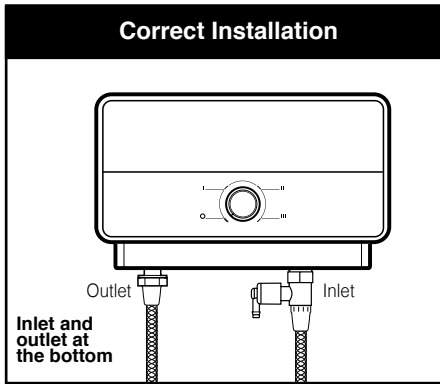
- A. A separate electrical line is required.
- B. The device must be connected to a separate circuit breaker.
- C. The recommended electrical cable for feeding the device, see table I (next page)

INSTALLATION

See electrical diagrams at the end of the booklet.

WARNING!

BEFORE BEGINNING ANY WORK ON THE ELECTRICAL INSTALLATION BE SURE THAT THE CIRCUIT BREAKER IS IN THE "OFF" POSITION TO AVOID DANGER OF ELECTRICAL SHOCK



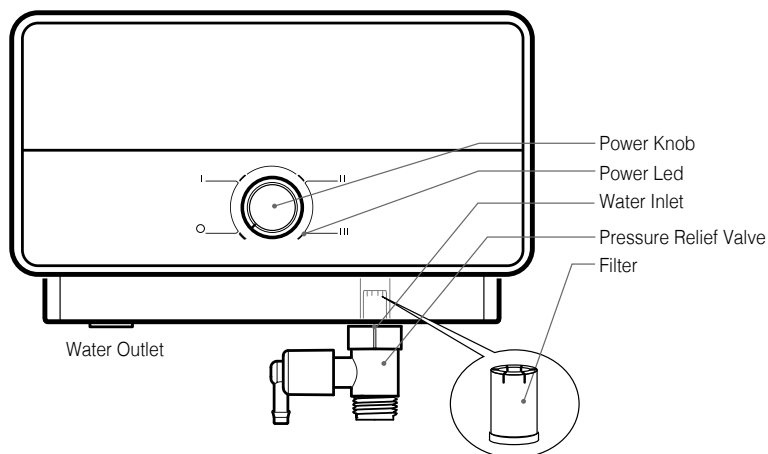
ATTENTION

The water inlet of this appliance shall not be connected to inlet water obtained from any other water heating system

Table 1: Recommended cable

Power	kW Loaded			Heating Setting	Recommended Cable Size	Recommended Fuse Rating
	220V	230V	240V			
AURES M 6	6	-	7.1	3.5+2.5 kW	H05VV-F 3x4 mm ²	32 A
AURES M 7.7	7.7	-	9.1	4.4+3.3 kW	H05VV-F 3x6 mm ²	40 A
AURES M 8	8	-	9.5	4.0+4.0 kW	H05VV-F 3x 6mm ²	40 A
AURES M 10.5	10.5	-	12.5	5.25+5.25 kW	H05VV-F 3x10 mm ²	63 A

Power	kW Loaded			Heating Setting	Recommended Cable Size	Recommended Fuse Rating
	400V	415V	--			
AURES M 12 TR	12	12.9	--	4+4+4 kW	H05VV-F 5G4	3 x 32 A
<ul style="list-style-type: none"> • Operating water pressure 50-800 kPa (0.5-8 bar) • Water pressure operating power switch • Standard 1/2"Ø compression inlet connection • Top-left cable entry • Bottom-right water entry 						
UNIT DIMENSIONS: HEIGHT 180mm WIDTH 304mm DEPTH 110mm						
UNIT DIMENSIONS: HEIGHT 220mm WIDTH 304mm DEPTH 110mm						



This product conforms to Directive WEEE 2012/19/EU.

The symbol of the crossed waste paper basket on the appliance indicates that at the end of its working life the product should be disposed of separately from normal domestic household rubbish, it must be disposed of at a waste disposal center with dedicated facilities for electric and electronic appliances or returned to the retailer when a new replacement product is purchased. The user is responsible for the disposal of the product at the end of its life at an appropriate waste disposal center. The waste disposal center (which using special treatment and recycling processes effectively dismantles and disposes of the appliance) helps to protect the environment by recycling the material from which the product is made. For further information about waste disposal systems visit your local waste disposal center or the retailer from which the product was purchased.

Troubleshooting

SYMPTOM	POSSIBLE CAUSE	SOLUTION
Water not hot enough	<p>Too much water flowing through the heater</p> <p>Reduction In the ambient temperature</p> <p>Water Pressure below of 100 kPa</p> <p>Electrical Malfunction</p>	<p>Reduce the flow rate of the water via the outlet tap.</p> <p>Switch to higher temperature setting.</p> <p>Check if the mains stop valve is fully open and that there are no other restriction in the supply line.</p> <p>Have the Heater unit check by a qualified electrician or contact your local authorised distributor.</p>
Water too hot	<p>Not enough Water flowing through the heater</p> <p>Increase in the ambient temperature</p>	<p>Increase the flow rate via the outlet tap</p> <p>Switch to lower temperature setting</p>
Heater switch Off during use	<p>Interruption of mains electrical supply</p> <p>ELSD trip, possible earth leakage</p>	<p>Check incoming power supply, MCB, switches and supply cabling. Check earth leakage and reset ELSD</p> <p>If problem persists, call your local authorised distributor for assistance.</p>
Water ceases to flow	<p>Blockage of spray head, twisted or blocked flexible shower hose.</p> <p>No water supply.</p>	<p>Clean or replace spray head, check for free passage of water through hose. Replace as necessary.</p> <p>Check water supply, stop valve Open? and no blockage.</p>
Water temperature varies from hot to cold during use	<p>Water pressure has dropped below min. level.</p>	<p>Increase hot water supply,</p>
No hot water despite fully open hot water faucet	<p>No electrical power</p> <p>The activation flow rate needed to turn on the heating element has not been reached.</p>	<p>Check the circuit breaker and check voltage at the wiring block.</p> <p>Clean filter screen</p> <ul style="list-style-type: none"> • Turn circuit breaker off • Open hot valve to release pressure from the unit. • Turn circuit breaker on.

ГАРАНТИЙНЫЙ ТАЛОН

ЭЛЕКТРИЧЕСКИЕ ВОДОНАГРЕВАТЕЛИ

Просим Вас хранить талон в течение всего гарантийного срока. При покупке изделия требуйте заполнения гарантийного талона. Просим Вас осмотреть водонагреватель и проверить комплектность до заполнения гарантийного талона. Претензии по механическим повреждениям внешней поверхности и некомплектности изделия после продажи не принимаются. Для гарантийного ремонта предъявляйте гарантийный талон вместе с чеком, где указана дата покупки. Без предъявления данного талона, его неправильном заполнении или при отсутствии печати торговой организации претензии к качеству не принимаются и ремонт не производится.

Модель _____

Код модели _____

Серийный номер _____

Торговая организация _____
(наименование, место нахождения и печать предприятия-продавца)

Проверил и продал _____
(ФИО, подпись продавца)

Дата продажи « _____ » _____ 20__ года

С условиями гарантии согласен _____
(ФИО, подпись покупателя)

1. Гарантийный срок

На перечисленные ниже составные части отдельных серий:

- Водонагреватели серии AURES - **2 года.**

2. Условия гарантийного обслуживания

Данный гарантийный талон при соблюдении предусмотренных условий дает право на бесплатный гарантийный ремонт водонагревателя и его составных частей. Гарантийный ремонт осуществляется по месту установки водонагревателя силами авторизованного сервисного центра, информация о котором находится в приложении к данному талону. При ее отсутствии или недостоверности, а так же нарушении сервисным центром условий гарантии, Вы можете обратиться в торговую организацию или в представительство компании-производителя.

Указанные в п. 1 гарантийные сроки исчисляются со дня продажи изделия.

Дата продажи изделия указывается в гарантийном талоне и чеке покупки.

При отсутствии в талоне или чеке даты продажи, гарантийный срок исчисляется с момента изготовления изделия. Дата изготовления и технические характеристики водонагревателя указаны на идентификационной табличке, размещенной на корпусе изделия.

Гарантийные сроки в отношении водонагревателей и их составных частей, переданных потребителю взамен водонагревателей и их составных частей ненадлежащего качества, истекают в последний день гарантийного срока, установленного на замененный водонагреватель или составную часть.

3. Срок службы изделия

При соблюдении правил установки, эксплуатации и технического обслуживания срок службы составляет не менее 2 лет.

На перечисленные ниже отдельные серии срок службы составляет:

- Водонагреватели серии AURES - **2 года**.

4. Досрочное прекращение гарантийного срока

Гарантийный срок прекращается до истечения указанного в п. 1 периода времени, при наличии одного или нескольких обстоятельств:

- Нарушение потребителем правил установки, хранения, транспортировки и эксплуатации изделия;
- Самостоятельный ремонт и замена запасных частей, нарушающие работоспособность изделия;
- Нанесение изделию механических повреждений;
- Несоответствие параметров сетей электро- или водоснабжения существующим нормам и стандартам;
- Использование изделия не по назначению;
- Отсутствие (или сильное повреждение) на корпусе изделия идентификационной таблички с серийным номером;
- Отсутствие на входе в водонагреватель редуктора для понижения давления при давлении водопроводной сети выше 5 бар;
- Наличие электрического потенциала на водосодержащей емкости водонагреват

5. Дополнительная информация

Для установки и регулярного сервисного обслуживания приобретенного оборудования мы рекомендуем воспользоваться услугами наших сервисных центров. Через сеть наших сервисных центров Вы можете приобрести запасные части и комплектующие изделия к водонагревателю, а также получить необходимую техническую консультацию.

Комплект поставки:

- Водонагреватель;
- Инструкция по установке и эксплуатации;
- Гарантийный талон;
- Заводская упаковка;

Перед установкой и использованием изделия внимательно изучите прилагающуюся инструкцию.

Производитель: Ariston Thermo Vietnam Ltd., TS3 Str., Tien Son IZ, Dong Nguyen ward, Tu Son town, Bac Ninh province, Vietnam, Вьетнам

Импортер, уполномоченная организация: ООО «Аристон Термо Русь», Россия, 188676, Ленинградская область, Всеволожский район, г. Всеволожск, Промышленная зона производственная зона города Всеволожска, ул. Индустриальная, д. № 9, лит. А.

Найдите ближайший к Вам сервисный центр:

www.ariston.com

service.ru@aristonthermo.com

+7 (495) 777-33-00



ARISTON

ОТРЫВНОЙ ТАЛОН 1

Модель	
Серийный номер	
Дата продажи	
Фирма-продавец	

Печать
продавца

Печать продавца



ARISTON

ОТРЫВНОЙ ТАЛОН 2

Модель	
Серийный номер	
Дата продажи	
Фирма-продавец	

Печать
продавца

Печать продавца



ARISTON

ОТРЫВНОЙ ТАЛОН 3

Модель	
Серийный номер	
Дата продажи	
Фирма-продавец	

Печать
продавца

Печать продавца



ARISTON

ОТРЫВНОЙ ТАЛОН 4

Модель	
Серийный номер	
Дата продажи	
Фирма-продавец	

Печать
продавца

Печать продавца



Дата приема		Печать сервисного центра
Дата выдачи		
Дефект		
Выполненная работа		
Мастер (Ф.И.О.)		




Дата приема		Печать сервисного центра
Дата выдачи		
Дефект		
Выполненная работа		
Мастер (Ф.И.О.)		

Дата приема		Печать сервисного центра
Дата выдачи		
Дефект		
Выполненная работа		
Мастер (Ф.И.О.)		

Дата приема		Печать сервисного центра
Дата выдачи		
Дефект		
Выполненная работа		
Мастер (Ф.И.О.)		

ОБЩИЕ УКАЗАНИЯ ПО ТЕХНИКЕ БЕЗОПАСНОСТИ ОСТОРОЖНО!

1. Настоящее руководство является неотъемлемой частью изделия. Сохраните его для справки и передайте следующему собственнику при смене владельца.
2. Внимательно ознакомьтесь с инструкциями и предупреждениями в настоящем руководстве. В них содержится важная информация по безопасному монтажу, эксплуатации и техническому обслуживанию.
3. Прибор должен устанавливаться и вводить в эксплуатацию квалифицированный специалист в соответствии с действующими нормами и правилами охраны здоровья и техники безопасности. Перед вскрытием клеммной колодки необходимо отключить все силовые цепи.
4. **НЕ пользуйтесь** прибором в целях, отличных от его прямого назначения. Изготовитель не несет ответственности за повреждения, связанные с неправильным или неприемлемым использованием или несоблюдением инструкций, приведенных в настоящем руководстве.
5. Неправильная установка может привести к повреждению имущества и травмам людей и животных. Изготовитель не несет ответственности за последствия.
6. **НЕ оставляйте** упаковочные материалы (скобы, пластиковые пакеты, пенопласт и пр.) в зоне досягаемости детей – они могут получить серьезную травму.
7. **Детям не младше 3 лет и лицам с ограниченными физическими, сенсорными или умственными способностями, а также лицам без опыта пользования или не имеющим необходимых знаний пользоваться прибором разрешается только под надзором или после их надлежащего обучения правилам безопасной эксплуатации прибора с разъяснением связанных с этим опасностей. Дети без присмотра не могут выполнять очистку и техническое обслуживание прибора.**
8. Ремонт, техническое обслуживание, подключение к водопроводу и электрической сети должен выполнять только квалифицированный специалист с применением оригинальных запасных частей. Несоблюдение этого приведет к нарушению системы безопасности прибора, при этом изготовитель снимает с себя всякую ответственность.
9. Температура горячей воды регулируется термостатом, который также является устройством безопасности, предотвращающим перегрев воды.
10. Подключение к электрической сети следует выполнять согласно инструкции в настоящем руководстве.
11. Если прибор оснащен шнуром питания, замену такого шнура может выполнять только уполномоченный сервисный центр или профессиональный техник.
12. На период простоя сливайте воду из прибора, это особенно важно в областях, где температура окружающего воздуха может падать ниже нуля.
13. **Не оставляйте** горючие материалы в контакте или в непосредственной близости с прибором.
14. **Запрещено** касаться прибора босиком или если кожа частично влажная.
15. Перед тем, как использовать прибор и в ходе работ по плановому и внеплановому ремонту следует наполнить водой бак водонагревателя и еще раз полностью спустить воду с тем, чтобы избавиться от остатков грязи.
16. Не находится под прибором и не размещать какой либо предмет, который может, например, быть поврежден утечкой воды.

Символ	Значение
	Несоблюдение этого предупреждения может привести к травме, даже с летальным исходом в определенных обстоятельствах
	Несоблюдение этого предупреждения может привести к повреждению имущества или травмам людей и животных
	Соблюдайте общие и особые инструкции по технике безопасности при обращении с прибором.

ОБЩИЕ ПРАВИЛА ТЕХНИКЕ БЕЗОПАСНОСТИ

№	Предупреждение	Риск	Символ
1.	Не вскрывать прибор и не вынимать его из корпуса	Удар электрическим током ввиду наличия компонентов под напряжением. Травмирование – ожоги о горячие поверхности и порезы об острые края.	
2.	Не запускать и не отключать прибор, вставляя/вытягивая вилку в/из розетки	Удар электрическим током ввиду повреждения шнура питания, вилки или розетки.	
3.	Не повреждать шнур питания	Удар электрическим током ввиду прикосновения к оголенным проводам под напряжением.	
4.	Не оставлять предметы на приборе	Травмирование ввиду падения предметов с прибора в результате вибрации.	
		Повреждение прибора или другого имущества ввиду падения предметов с прибора в результате вибрации.	
5.	Не влезать на прибор	Травмирование ввиду падения с прибора.	
		Повреждение прибора или другого имущества ввиду отсоединения прибора от его креплений.	
6.	Не чистить прибор без предварительного отключения, вынув вилку из розетки или с помощью выключателя	Удар электрическим током ввиду наличия компонентов под напряжением.	
7.	Установить прибор на прочной стене, не подверженной вибрации	Опасность падения прибора со стены ввиду конструкционного разрушения или шумная работа.	
8.	Выполнять подключение к электрической сети с помощью кабелей достаточного поперечного сечения	Опасность пожара ввиду перегрева проводов недостаточного размера.	
9.	Восстановить все функции безопасности и управления после проведения работ с прибором и убедиться в исправности его работы после возврата в эксплуатацию	Повреждение или блокирование прибора ввиду неправильных настроек управления.	
10.	Перед техническим обслуживанием слить горячую воду из прибора с помощью спускных кранов	Опасность ожогов	
11.	Очистить систему от накипи как указано в «паспорте безопасности» изделия; при этом проветрить помещение, пользоваться защитной одеждой, не смешивать разные продукты и защитить сам прибор и расположенные поблизости объекты	Травма ввиду попадания на кожу и в глаза, вдыхание или проглатывания токсических химических веществ.	
		Повреждение прибора и расположенных поблизости объектов ввиду коррозии под воздействием кислоты.	
12.	Не пользоваться инсектицидами, растворителями или агрессивными чистящими веществами для очистки прибора	Повреждение пластиковых и окрашенных частей и узлов.	

ТЕХНИЧЕСКИЕ ХАРАКТЕРИСТИКИ

Технические характеристики см. на шильдике (который расположен справа на водонагревателе).

ИНФОРМАЦИЯ ОБ ИЗДЕЛИИ					
Модель	AURES M 6	AURES M 7.7	AURES M 8	AURES M 10.5	AURES M 12 TR
Мощность (кВт)	6-7.1	7.7-9.1	8-9.5	10.5-12.5	12-12.9
Напряжение (V)	220-240	220-240	220-240	220-240	400-415
Количество фаз	одна				Three-phase
Монтаж	несколько точек				
Исполнение	закрытое выход				
Сила тока (Гц)	50/60				
Сила струму (А)	29.6	37.9	39.6	52.1	17.9
Электрическая схема	II	II	II	III	V
Защита вод	IP25				
Трубное соединение	1/2" BSP				
Мин. поток воды	2.1				
Эзлек (кВтч)	2.119	--	--	--	--
Макс. давление воды	800 kPa (8 bar)				
Схема нагрузки	XXS	--	--	--	--
Lwa (дБ)	15			--	--
ηwh (Втч)	40%	--	--	--	--
Номинальный объем (л)	0,35				
Масса (г)	2			2.2	2.2
Габаритные размеры (мм)	304 x 180 x 110			304 x 220 x 110	

Приведенные в таблице данные потребления электропитания и другая информация, указанная в паспорте изделия (Приложение А к настоящему руководству), определены в соответствии с Директивой ЕС 812/2013 и 814/2013.

Изделия, не имеющие соответствующих отметок на табличках и в паспортах согласно нормам 812/2013, не предназначены для использования в пакетных установках водонагревателей с солнечными батареями.

Изделия с регулирующей ручкой оснащаются термостатом, установленным в положение «готов к использованию» как указано в паспорте (Приложение А), согласно которому изготовитель определяет соответствующий класс энергоэффективности.

Изделие следует подключать к источнику питания с соответствующим сопротивлением системы не более 0,237 Ом.

Энергоснабжающая компания может устанавливать ограничения, если фактическое сопротивление системы в точке подключения потребителя превышает 0,237 Ом.

Данный прибор соответствует международным стандартам на электрооборудование IEC 60335-1 и IEC 60335-2-35. При наличии маркировки CE прибор соответствует основным требованиям следующих Директив ЕС:

- Директива по низковольтному оборудованию: EN 60335-1, EN 60335-2-35, EN 60529, EN 62233, EN 50106.

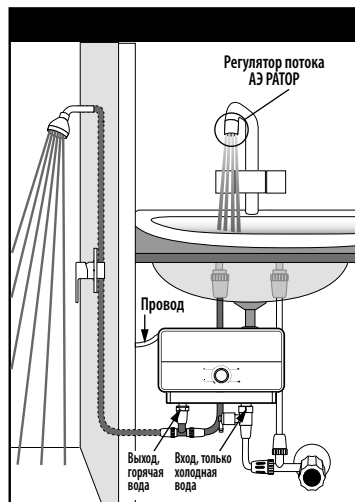
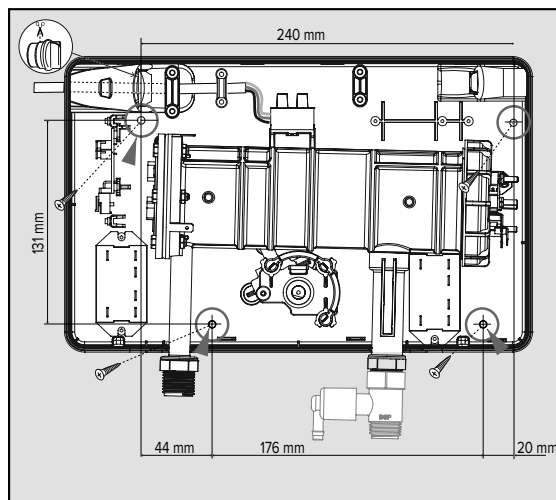
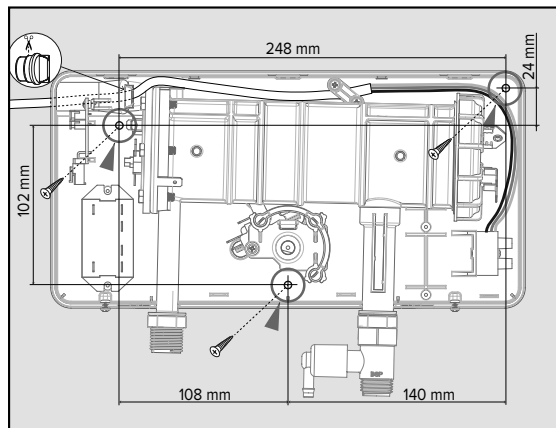
- Электромагнитная совместимость (ЭМС): EN 55014-1, EN 55014-2, EN 61000-3-2, EN 61000-3-3, EN 61000-3-11 и EN 61000-3-12.


- Изделия, потребляющие энергию: Eu812, Eu814, EN50193-1-2013

УКАЗАНИЯ ПО МОНТАЖУ:

Прибор должен устанавливать и вводить в эксплуатацию квалифицированный специалист в соответствии с действующими нормами и правилами охраны здоровья и техники безопасности.

1. Перед проведением каких-либо работ необходимо отсоединить прибор от электрической сети с помощью внешнего выключателя.
2. Открутите два винта, расположенные снизу устройства, и снимите крышку с основания.
3. Установите основание горизонтально относительно стены или боковой части шкафа, входящую и выходящую трубы, водопровода в нижней части устройства. Используйте монтажных винта из комплекта



4. **Установите водяной фильтр из комплекта поставки на входящей водопроводной трубе (см. диаграмму)**
5. Подсоедините входящую водопроводную трубу (только холодную воду) к входу прибора снизу справа, а выходную трубу – к выходу снизу слева. Откройте водопроводные краны и убедитесь в отсутствии утечки из прибора.
6. Для отсоединения прибора от сети электропитания используйте всеполюсный выключатель, соответствующий действующим национальным нормативам (с расстоянием между разомкнутыми контактами не менее 3 мм, предпочтительно оснащенный предохранителем).
7. Подсоединить провод питания к прибору. Прибор необходимо заземлить. Провод заземления (обозначенный буквой на схеме) подсоединяется к клемме, обозначенной символом .
8. Включите прибор и проверьте исправность его работы.
9. Верните на место крышку, закрепив ее 2 вин.
10. Обязательно установите защитный выключатель замыкания на землю в электрической цепи.
11. **Проверьте, правильно ли установлен клапан сброса давления (входит в комплект поставки) перед входом.**
12. **Необходимо установить регулятор потока (АЭРАТОР) на выход в раковину или душ.**
13. **ПРЕДУПРЕЖДЕНИЕ: ПРИБОР ДОЛЖЕН БЫТЬ ПРАВИЛЬНО ЗАЗЕМЛЕН**
14. **ДАННЫЙ НАГРЕВАТЕЛЬ ДОЛЖЕН БЫТЬ ОСНАЩЕН НЕЗАВИСИМЫМ КОНТУРОМ С АВТОМАТИЧЕСКИМ ВЫКЛЮЧАТЕЛЕМ С ДОСТАТОЧНЫМИ НОМИНАЛЬНЫМИ ХАРАКТЕРИСТИКАМИ И ПРИЕМЛЕМЫМ ПРОВОДОМ, СМ. ТАБЛИЦУ РЕКОМЕНДУЕМЫХ ПРОВОДОВ.**

ПРЕДУПРЕЖДЕНИЕ: В случае повреждения шнура питания во избежание рисков его замена должна производиться компанией-изготовителем, сотрудником уполномоченного сервисного центра или специалистом, обладающим аналогичной квалификацией.

ИНСТРУКЦИИ ПО ЭКСПЛУАТАЦИИ

1. Ваш новый проточный водонагреватель включается при наличии необходимого напора воды. Установите ручку в одно из 3 положений (I, II, III). Прибор включится и откроет кран горячей воды, нагревательный элемент будет работать и греть воду только при наличии потока воды через прибор. Скорость потока должна составлять не менее 2,1 литра в минуту, чтобы сработала проточная система нагрева. Дайте воде стечь в течение нескольких минут.
2. Регулярно очищайте лейку от отложений, чтобы гарантировать равномерный поток воды.
3. Регулярно очищайте водяной фильтр на входе.
4. Проточный водонагреватель необходимо монтировать в отапливаемом помещении. Прибор нельзя монтировать в помещениях, где температура воздуха может резко снижаться; это ведет к риску обледенения.
5. Пользователь может регулировать температуру горячей воды, меняя настройку мощности. Возможны 4 варианта настройки:
 - O - нагревательный элемент выключен
 - I - включен только первый нагревательный элемент
 - II - включен только второй нагревательный элемент
 - III - включены оба нагревательных элемента одновременно

ТРЕБОВАНИЯ К МОНТАЖУ

- A. Необходима отдельная электрическая линия.
- B. Устройство следует подсоединять к отдельному автоматическому выключателю.
- C. Рекомендации по выбору провода для подключения электропитания см. в таблице I (на следующей странице).

МОНТАЖ

См. принципиальные схемы в конце буклета.

ВНИМАНИЕ!

ПЕРЕД НАЧАЛОМ МОНТАЖА ЭЛЕКТРИЧЕСКИХ ЦЕПЕЙ УБЕДИТЕСЬ, ЧТО ВЫКЛЮЧАТЕЛЬ НАХОДИТСЯ В ПОЛОЖЕНИИ «OFF» ВО ИЗБЕЖАНИЕ УДАРА ЭЛЕКТРИЧЕСКИМ ТОКОМ



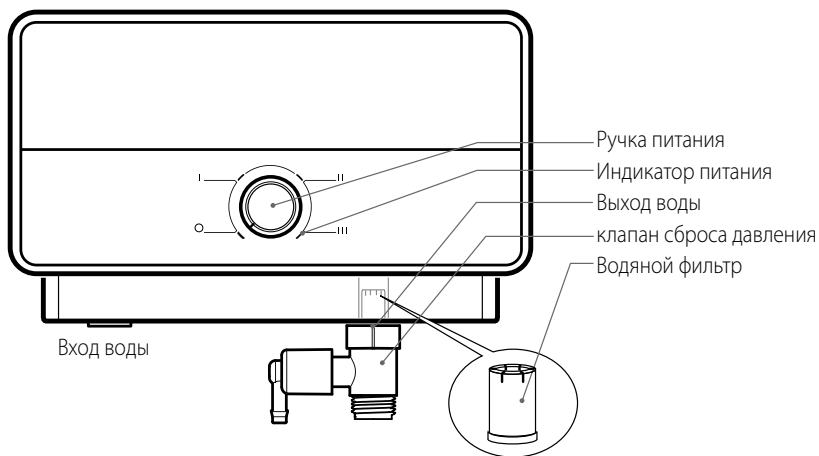
ВНИМАНИЕ

На вход данного прибора не должна подаваться вода с выхода какой-либо другой нагревательной системы

Таблица I. Рекомендуемые провода

Мощность	кВт под нагрузкой			Настройка нагрева	Рекомендуемый размер провода	Рекомендуемый предохранитель
	220В	230В	240В			
AURES M 6	6	-	7.1	3.5+2.5 kW	H05VV-F 3x4 mm ²	32 A
AURES M 7.7	7.7	-	9.1	4.4+3.3 kW	H05VV-F 3x6 mm ²	40 A
AURES M 8	8	-	9.5	4.0+4.0 kW	H05VV-F 3x 6mm ²	40 A
AURES M 10.5	10.5	-	12.5	5.25+5.25 kW	H05VV-F 3x10 mm ²	63 A

Мощность	кВт под нагрузкой			Настройка нагрева	Рекомендуемый размер провода	Рекомендуемый предохранитель
	400V	415V	--			
AURES M 12 TR	12	12.9	--	4+4+4 kW	H05VV-F 5G4	3 x 32 A
• Рабочее давление воды 50-800 кПа (0.5-8 бар) • Выключение питания давления воды • Стандартное резьбовое соединение Ø1/2" на входе • Ввод провода сверху слева • Вход воды снизу справа						
РАЗМЕРЫ ПРИБОРА: Высота 180мм Ширина 304мм Глубина 110мм						
РАЗМЕРЫ ПРИБОРА: Высота 220мм Ширина 304мм Глубина 110мм						



ДАННОЕ ИЗДЕЛИЕ СООТВЕТСТВУЕТ ДИРЕКТИВЕ EU 2002/96/ЕС

Символ «перечеркнутая корзина» на изделии означает, что по окончании срока службы изделие нельзя выбрасывать с обычным мусором, оно должно быть сдано в центр раздельной утилизации электрических и электронных приборов или в магазин в случае приобретения нового аналогичного изделия. Пользователь несет ответственность за сдачу изделия по окончании его срока службы в надлежащую организацию по утилизации. Надлежащий раздельный сбор мусора для последующей отправки старого изделия на экологически совместимую переработку и утилизацию способствует охране экологии и здоровья, а также позволяет рекуперировать материалы, из которых состоит изделие. За более подробной информацией касательно имеющихся систем утилизации обращайтесь в местную службу утилизации или в магазин, в котором было приобретено изделие




Поиск и устранение неисправностей

ПРОБЛЕМА	ВОЗМОЖНАЯ ПРИЧИНА	РЕШЕНИЕ
Вода недостаточно горячая	Слишком сильный поток воды через нагреватель Снижение окружающей температуры Давление воды ниже 100 кПа Неисправность электрической системы	Снизьте напор воды, прикрыв кран. Переключитесь на более высокую настройку температуры. Проверьте, полностью ли открыт магистральный запорный кран, и нет ли других препятствий в линии. Сдайте нагреватель на проверку квалифицированному электрику или обратитесь к местному авторизованному дистрибьютору.
Вода слишком горячая	Недостаточный поток воды через нагреватель Повышение окружающей температуры	Увеличьте напор воды, открыв кран. Переключитесь на более низкую настройку температуры.
Нагреватель отключается в процессе использования	Отключение электричества в сети Срабатывание аварийной защиты, возможно, из-за утечки на землю	Проверьте подачу электропитания, автоматический выключатель, переключатели и питающий провод. Проверьте утечку на землю и сбросьте аварийную защиту. Если проблема сохраняется, обратитесь к авторизованному дистрибьютору за помощью.
Вода перестает течь	Лейка душа закупорена или перекошена, закупорен гибкий шланг душа. Нет подачи воды.	Очистите или замените лейку, проверьте свободно ли вода проходит по шлангу. Замените при необходимости. Проверьте, есть ли вода в системе, открыт ли запорный кран, и нет ли закупорок.
Температура воды меняется с горячей на холодную во время использования	Давление воды упало ниже минимального уровня.	Увеличьте подачу горячей воды.
Нет горячей воды, несмотря на полностью открытый кран	Нет электричества Не достигнут необходимый для включения нагревательного элемента напор воды.	Проверьте положение автоматического выключателя и напряжение в сети. Очистите сетчатый фильтр <ul style="list-style-type: none"> • Выключите автоматический выключатель. • Откройте кран горячей воды, чтобы сбросить давление в приборе. • Включите автоматический выключатель.

Для получения информации о документах (копии документов), подтверждающих соответствие товара требованиям технических регламентов, обратитесь к продавцу

ЗАГАЛЬНІ ІНСТРУКЦІЇ З ТЕХНІКИ БЕЗПЕКИ ОБЕРЕЖНО!

1. Ця брошура є невід'ємною частиною виробу. Збережіть її для довідки й передайте будь-якому наступному власнику.
2. Уважно прочитайте інструкції й попередження в цій брошурі, бо вони містять важливу інформацію щодо безпечного встановлення, експлуатації й обслуговування.
3. Прилад має встановлювати й вводити в експлуатацію кваліфікований фахівець відповідно до діючих норм і правил охорони здоров'я й техніки безпеки. Перш ніж розкривати клемну колодку необхідно вимкнути всі силові кола.
4. **НЕ користуйтеся** приладом в цілях, що відрізняються від вказаних. Виробник не несе відповідальності за ушкодження, пов'язані з неправильним або неприйнятним використанням або недотриманням інструкцій, приведених в цій брошурі.
5. Неправильне встановлення може привести до ушкодження майна і травм людей і тварин. Виробник не несе відповідальності за такі наслідки.
6. **НЕ залишайте** пакувальні матеріали (скоби, пластикові пакети, пінопласт, тощо) в межах досяжності дітей, бо це може спричинити важкі травми.
7. **Цей прилад може використовуватися дітьми у віці від 3 років і старше та особами з обмеженими фізичними, сенсорними або розумовими здібностями, або при відсутності досвіду й знань, тільки якщо вони перебувають під наглядом або проінструктовані з питань безпечного використання приладу й розуміють ризик, якому піддаються. НЕ дозволяйте дітям гратись із приладом. Діти без нагляду не можуть очищувати й проводити технічне обслуговування приладу.**
8. Ремонт, технічне обслуговування, підключення до водопроводу й електричної мережі має виконувати тільки кваліфікований фахівець із застосуванням оригінальних запасних частин. Нехтування вказаними вище інструкціями може стати причиною порушення системи безпеки приладу, при цьому виробник відмовляється від будь-якої відповідальності.
9. Температура гарячої води регулюється термостатом, який одночасно є пристроєм безпеки, що запобігає небезпечному перегріванню.
10. Приєднання до електричної мережі необхідно виконувати за інструкціями в цій брошурі.
11. Якщо прилад обладнаний шнуром живлення, заміну такого шнура може виконувати тільки уповноважений сервісний центр або професійний технік.
12. Якщо ви не користуєтесь приладом, зливайте з нього воду, це особливо важливо в областях, де температура навколишнього повітря може падати нижче нуля.
13. Не залишайте будь-які займісті матеріали в контакт з приладом або поруч із ним.
14. **Є заборонено** торкатися приладу мокрими частинами тіла або будучи босоніж
15. Перед використанням приладу і після звичайного або позачергового технічного обслуговування рекомендується заповнити водою резервуар для води і виконати наступну операцію повного зливу для видалення залишкових домішок.
16. Не дозволяється ставити під пристроєм або поруч з ним будь-які предмети, які можуть постраждати в результаті можливого витоку води.

Позначка	Значення
	Нехтування цим попередженням може призвести до травми, за певних обставин навіть з летальним результатом
	Нехтування цим попередженням може призвести до ушкодження майна або травми людей і тварин
	Дотримуйтесь загальних і особливих інструкцій щодо техніки безпеки при поводженні з приладом.

ЗАГАЛЬНІ ПРАВИЛА ТЕХНІКИ БЕЗПЕКИ

№	Попередження	Ризик	Позначка
1.	Не розкривати прилад і не виймати його з корпусу	Ураження електричним струмом від компонентів під напругою. Травмування – опіки від гарячих поверхонь і порізи о гострі краї.	
2.	Не запускати й не виймати прилад вставленням/витягування вилки в розетку/з розетки	Ураження електричним струмом в результаті пошкодження шнура живлення, вилки або розетки.	
3.	Не доводити до пошкодження шнура живлення	Ураження електричним струмом в результаті дотику до оголених дротів під напругою.	
4.	Не залишати предмети на приладі	Травмування в результаті падіння предметів з приладу від вібрації.	
		Ушкодження приладу або іншого майна в результаті падіння предметів з приладу від вібрації.	
5.	Не влізати на прилад	Травмування в результаті падіння з приладу.	
		Ушкодження приладу або іншого майна в результаті від'єднання приладу від його кріплень.	
6.	Не чистити прилад без попереднього вимкнення за допомогою витягування вилки з розетки або перемикання вимикача	Ураження електричним струмом від компонентів під напругою.	
7.	Встановити прилад на міцній стіні без вібрації	Небезпека падіння приладу із стіни в результаті конструкційного руйнування або шум під час роботи.	
8.	Виконувати приєднання до електричної мережі за допомогою кабелів достатнього перетину	Небезпека пожежі від перегрівання дротів недостатнього розміру.	
9.	Відновити усі функції безпеки й керування після проведення робіт з приладом і переконатися в справності його роботи після повернення в експлуатацію	Ушкодження або блокування приладу зважаючи на неправильні налаштування керування.	
10.	Перед технічним обслуговуванням злити гарячу воду з приладу за допомогою спускових кранів	Небезпека опіків	
11.	Очистити систему від накипу як вказано в «паспорті безпеки» виробу; при цьому провітрити приміщення, користуватися захисним одягом, не змішувати різні продукти і захистити сам прилад і розташовані поблизу об'єкти	Травма від попадання на шкіру і в очі, вдихання або проковтування токсичних хімічних речовин.	
		Пошкодження приладу або об'єктів навколо нього внаслідок корозії, викликаної кислотними речовинами.	
12.	Не користуватися інсектицидами, розчинниками або агресивними миючими засобами для очищення приладу	Пошкодження пластикових і фарбованих частин і вузлів.	

ТЕХНІЧНІ ХАРАКТЕРИСТИКИ

Технічні характеристики див. на паспортній табличці (яка розташована справа на водонагрівачі).

ІНФОРМАЦІЯ ПРО ВИРІБ					
Model	AURES M 6	AURES M 7.7	AURES M 8	AURES M 10.5	AURES M 12 TR
Потужність (кВт)	6-7.1	7.7-9.1	8-9.5	10.5-12.5	12-12.9
Напруга (В)	220-240	220-240	220-240	220-240	400-415
Кількість фаз	одна				Three-phase
Монтаж	декілька точок				
Виконання	Закритий вихід				
Частота (Гц)	50/60				
електричний струм (А)	29.6	37.9	39.6	52.1	17.9
Електрична схема	II	II	II	III	V
Захист вод	IP25				
Трубне з'єднання	1/2" BSP				
Мінімальний потік води (л/хв.)	2.1				
Q електр. (кВт·год)	2.119	--	--	--	--
Мінімальний тиск води	800 kPa (8 bar)				
Профіль навантаження	XXS	--	--	--	--
Lwa (дБ)	15		--	--	--
η_{wh}	40%	--	--	--	--
Номінальний об'єм (л)	0,35				
Маса (г)	2			2.2	2.2
Габарити (мм)	304 x 180 x 110			304 x 220 x 110	

Дані про споживання електричної енергії на табличці й інша інформація, наведена в паспорті виробу (додаток А до цієї брошури), визначені відповідно до Директив ЄС 812/2013 й 814/2013.

Вироби, які не мають відповідних позначок на табличках і в паспортах, як передбачено Директивою 812/2013, не призначені для використання в пакетних установках водонагрівачів з сонячними батареями.

Вироби з ручкою регулювання оснащуються термостатом, який встановлений в положення «готовий до використання» як вказано в паспорті (Додаток А), згідно з яким виробник визначає відповідний клас енергоефективності.

Виріб слід приєднувати до джерела живлення з відповідним опором системи не більше 0,237 Ом.

Енергопостачальна компанія може встановлювати обмеження, якщо фактичний опір системи в точці приєднання споживача перевищує 0,237 Ом.

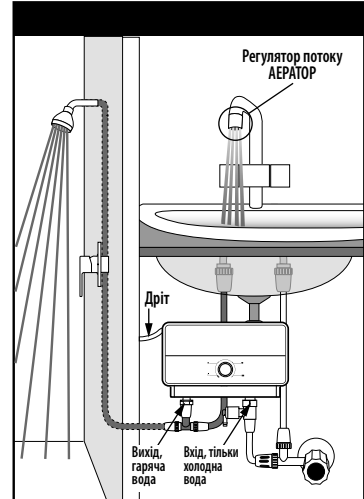
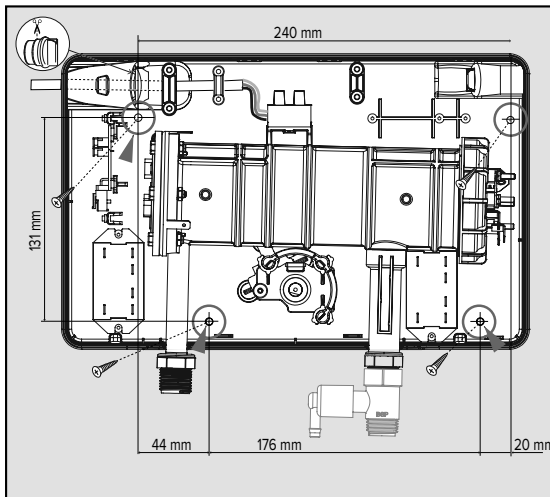
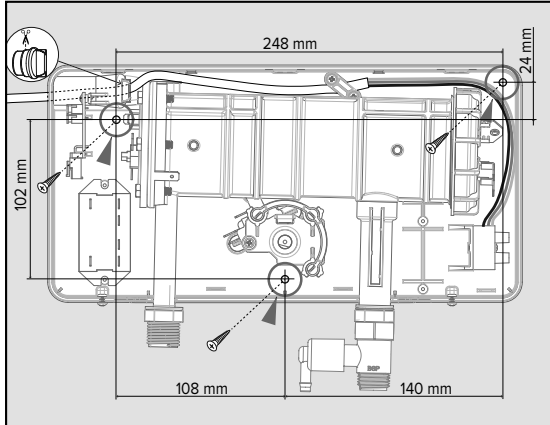
Цей прилад відповідає міжнародним стандартам електричної безпеки IEC 60335-1 й IEC 60335-2-35. За наявності маркування CE прилад відповідає основним вимогам наступних Директив ЄС:


- Директива з низьковольтного обладнання (LVD): EN 60335-1, EN 60335-2-35, EN 60529, EN 62233, EN 50106.
- Директива з електромагнітної сумісності (EMC): EN 55014-1, EN 55014-2, EN 61000-3-2, EN 61000-3-3, EN 61000-3-11 і EN 61000-3-12.
- Вироби, що споживають енергію: Eu812, Eu814, EN50193 - 1-2013.

ІНСТРУКЦІЇ З УСТАНОВЛЕННЯ:

Прилад має встановлювати й вводити в експлуатацію кваліфікований фахівець відповідно до діючих норм і правил охорони здоров'я й техніки безпеки.

1. Перед проведенням будь-яких робіт необхідно від'єднати прилад від електричної мережі за допомогою зовнішнього вимикача.
2. Відкрутіть 2 гвинти, розташовані знизу пристрою, й зніміть кришку з основи.
3. Установіть основу горизонтально відносно стіни або боку шафи, вхідну й вихідну труби водопроводу в нижній частині пристрою. Використовуйте монтажні гвинти з комплекту постачання.



4. **Встановіть водяний фільтр з комплекту постачання на водопровідній трубі (див. осхему)**
5. Приєднайте вхідну водопровідну трубу (тільки холодну воду) до входу приладу знизу праворуч, а вихідну трубу – до виходу знизу ліворуч. Відкрийте водопровідні крани й переконайтеся у відсутності витоків з приладу.
6. Для від'єднання приладу від джерела живлення використовуйте багатополюсний вимикач, що відповідає вимогам чинного національного законодавства (зазор між контактами — щонайменше 3 мм, краще якщо обладнаний запобіжниками).
7. Приєднати дрот живлення до приладу. Прилад необхідно заземлити. Дріт заземлення (позначений буквою на схемі) приєднується до клеми, яка позначена символом .
8. Ввімкніть прилад і перевірте справність його роботи.
9. Поверніть на місце кришку й закріпіть її 2 гвинтами.
10. Обов'язково встановіть захисний вимикач замикання на землю в електричному колі
11. **Перевірте, чи правильно встановлений клапан скидання тиску (входить до комплекту постачання) перед входом.**
12. **Необхідно встановити регулятор потоку (АЕРАТОР) на вихід у раковину або душ.**
13. **УВАГА! ПРИЛАД МАЄ БУТИ ПРАВИЛЬНО ЗАЗЕМЛЕНИЙ**
14. **ЦЕЙ НАГРІВАЧ НЕОБХІДНО ОСНАСТИТИ НЕЗАЛЕЖНИМ КОНТУРОМ З АВТОМАТИЧНИМ ВИМИКАЧЕМ, ЩО МАЄ ДОСТАТНІ НОМІНАЛЬНІ ХАРАКТЕРИСТИКИ Й ДРІТ ВІДПОВІДНОГО РОЗМІРУ, ДИВ. ТАБЛИЦЮ РЕКОМЕНДОВАНИХ ДРОТІВ.**

ПОПЕРЕДЖЕННЯ: Якщо дрот електроживлення пошкоджений, його необхідно замінити у виробника або в його сервісній службі, або запросити кваліфікованого спеціаліста, щоб уникнути ризику небезпеки.

ІНСТРУКЦІЇ З ЕКСПЛУАТАЦІЇ

1. Ваш новий проточний водонагрівач вмикається за наявності необхідного тиску води. Встановіть ручку в одне з 3 положень (I, II, III). Прилад ввімкнеться й відкриє кран гарячої води, нагрівальний елемент працюватиме і грітиме воду тільки за наявності потоку води через прилад. Швидкість потоку повинна бути не менше 2,1 літра на хвилину, щоб спрацювала проточна система нагрівання. Дайте воді стекти впродовж декількох хвилин.
2. Регулярно очищайте лійку від відкладень, щоб гарантувати рівномірний потік води.
3. Регулярно очищайте водяний фільтр на вході.
4. Проточний водонагрівач необхідно монтувати в приміщенні, що опалюється. Прилад не можна монтувати в приміщеннях, де температура повітря може різко знижуватися; це веде до ризику замерзання.
5. Користувач може регулювати температуру гарячої води за допомогою налаштування потужності. Можливі 4 варіанти налаштування:
 - Power - нагрівальний елемент вимкнений
 - Low - ввімкнений тільки перший нагрівальний елемент
 - Med - ввімкнений тільки другий нагрівальний елемент
 - High - ввімкнені обидва нагрівальні елементи одночасно

ВИМОГИ ДО МОНТАЖУ

- A. Потрібна окрема електрична лінія.
- B. Прилад слід під'єднувати до окремого автоматичного вимикача.
- C. Рекомендації щодо вибору дроту для приєднання до електромережі див. у таблиці 1 (на наступній сторінці).

МОНТАЖ

Див. принципові схеми в кінці буклета.

УВАГА!

ПЕРЕД ПОЧАТКОМ МОНТАЖУ ЕЛЕКТРИЧНИХ КІЛ ПЕРЕКОНАЙТЕСЯ, ЩО ВИМИКАЧ ЗНАХОДИТЬСЯ В ПОЛОЖЕННІ «OFF», ЩОБ УНИКНУТИ УРАЖЕННЯ ЕЛЕКТРИЧНИМ СТРУМОМ



УВАГА

Вхід води цього приладу не слід приєднувати до будь-якої іншої системи опалення.

Таблиця I: Рекомендовані дроти

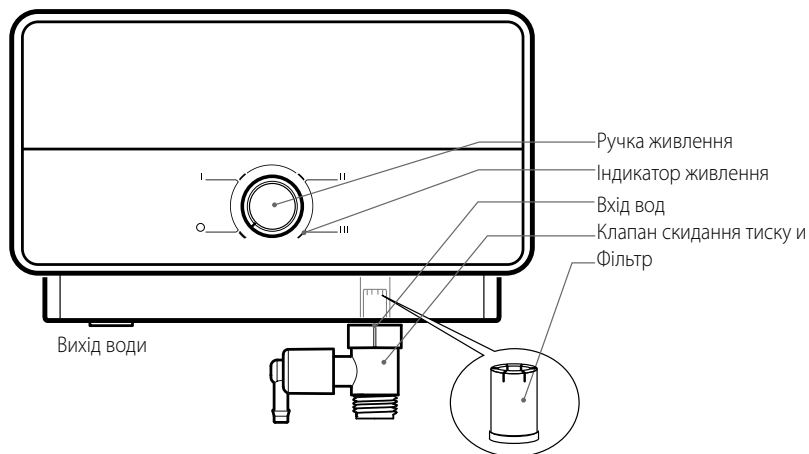
Найменування моделі	кВт під навантаженням			Налаштування нагрівання	Рекомендований розмір дроту	Рекомендований запобіжник
	220V	230V	240V			
AURES M 6	6	-	7.1	3.5+2.5 kW	H05VV-F 3x4 mm ²	32 A
AURES M 7.7	7.7	-	9.1	4.4+3.3 kW	H05VV-F 3x6 mm ²	40 A
AURES M 8	8	-	9.5	4.0+4.0 kW	H05VV-F 3x 6mm ²	40 A
AURES M 10.5	10.5	-	12.5	5.25+5.25 kW	H05VV-F 3x10 mm ²	63 A

Найменування моделі	кВт під навантаженням			Налаштування нагрівання	Рекомендований розмір дроту	Рекомендований запобіжник
	400V	415V	--			
AURES M 12 TR	12	12.9	--	4+4+4 kW	H05VV-F 5G4	3 x 32 A

• Operating water pressure 50-800 kPa (0.5-8 bar) • Water pressure operating power switch
 • Standard 1/2"Ø compression inlet connection • Top-left cable entry • Bottom-right water entry

UNIT DIMENSIONS: HEIGHT 180mm WIDTH 304mm DEPTH 110mm

UNIT DIMENSIONS: HEIGHT 220mm WIDTH 304mm DEPTH 110mm



Цей виріб відповідає Директиві WEEE 2012/19/EU.

Символ перекресленого сміттового кошику на виробі означає, що після закінчення терміну служби виріб не можна викидати разом із звичайними побутовими відходами. Його необхідно здати до організації, що займається утилізацією електричного й електронного обладнання або повернути продавцю при купівлі нового виробу. Користувач відповідає за правильну утилізацію виробу після закінчення терміну його служби (здача у відповідний центр з переробки відходів).




Організації, що займаються збиранням і утилізацією вторинної сировини (і використовують прийнятні способи переміщення, розбирання й сортування відходів), забезпечують захист довкілля завдяки правильній переробці матеріалів виробу. Для отримання додаткової інформації щодо утилізації відходів звертайтеся до організації зі збору вторинної сировини або до продавця виробу.

Пошук і усунення несправностей

ПРОБЛЕМА	МОЖЛИВА ПРИЧИНА	РІШЕННЯ
Вода недостатньо гаряча	<p>Занадто сильний потік води через нагрівач</p> <p>Зниження навколишньої температури</p> <p>Тиск води нижче 100 кПа</p> <p>Несправність електричної системи</p>	<p>Знизьте тиск води, прикривши кран.</p> <p>Змініть на більш високе налаштування температури.</p> <p>Перевірте, чи повністю відкритий магістральний запірний кран, і чи немає інших перешкод в лінії.</p> <p>Здайте нагрівач на перевірку кваліфікованому електрику або зверніться до місцевого авторизованого дистриб'ютора.</p>
Вода занадто гаряча	<p>Недостатній потік води через нагрівач</p> <p>Підвищення навколишньої температури</p>	<p>Збільште тиск води, для чого відкрийте кран.</p> <p>Змініть на нижче налаштування температури.</p>
Нагрівач вимикається в процесі використання	Відключення електрики в мережі	Перевірте електроживлення, автоматичний вимикач, перемикачі й дрід живлення. Перевірте витік на землю й скиньте аварійний захист
Вода припиняє текти	<p>Лійка забита або перекошена, забитий гнучкий шланг душа</p> <p>Немає постачання води</p>	<p>Почистіть або замініть лійку, перевірте чи вільно вода проходить по шлангу. Замініть при необхідності.</p> <p>Перевірте, чи є вода в системі, чи відкритий запірний кран, і чи не забиті елементи системи.</p>
Температура води змінюється з гарячої на холодну під час використання	Тиск води впав нижче мінімального рівня	Збільште подачу гарячої води.
Немає гарячої води, незважаючи на повністю відкритий кран	<p>Немає електрики</p> <p>Не досягнутий необхідний для ввімкнення нагрівального елемента тиск води</p>	<p>Перевірте положення автоматичного вимикача й напругу в мережі.</p> <p>Очистіть сітчастий фільтр</p> <ul style="list-style-type: none"> • Вимкніть автоматичний вимикач. • Відкрийте кран гарячої води, щоб скинути тиск в приладі. • Ввімкніть автоматичний вимикач.

ЖАЛПЫ ҚАУІПСІЗДІККЕ ҚАТЫСТЫ НҰСҚАУЛАР АБАЙ БОЛЫҢЫЗ!

1. Бұл нұсқаулық — өнімнің ажырамайтын бір бөлігі. Оны құрылғымен бірге сақтаңыз және құрылғы иесі ауысатын болса, оны келесі пайдаланушыға/өнім иесіне табыстаңыз.
2. Осы нұсқаулықтағы нұсқаулар мен ескертулерді мұқият оқып шығыңыз; онда құрылғыны қауіпсіз орнату, қолдану және оған техникалық қызмет көрсету туралы маңызды ақпарат берілген.
3. Құрылғыны білікті маман жергілікті заңдарға және денсаулық пен еңбекті қорғау қаулыларына сәйкес орнатуы және пайдалануға беруі тиіс. Ағытпалар блогын ашудан бұрын, барлық қуат тізбектері өшірілуі керек.
4. Құрылғыны белгіленген мақсатынан басқа ешбір мақсатта қолдануға **БОЛМАЙДЫ**. Бұрыс қолданудан не дұрыс қолданбау немесе осы нұсқаулықта берілген нұсқауларды орындамау салдарынан пайда болған залалға өндіруші жауапты болмайды.
5. Дұрыс орнатпау салдарынан мүлікке зақым келуі және адамдар мен жануарлар жарақат алуы мүмкін; өндіруші мұндай жағдайларда жауапты болмайды.
6. Қаптама материалдарын (қыстырғыштар, пластик қаптар, көбікполистирол, т.б.) балалардың қолы жететін жерде **ҚАЛДЫРМАҢЫЗ** — олар ауыр жарақатқа себеп болуы мүмкін.
7. **Бұл құрылғыны 3 жастан асқан балалар және одан да жоғары балалар және физикалық, сенсорлық немесе ақыл-ой қабілеті төмен адамдар немесе егер олар құрылғыны қауіпсіз жолмен пайдалану және қауіпті жағдайларды түсіну туралы қадағалау орны бар болса, қолдануға болады . Балаларға құрылғымен ойнауға РҰҚСАТ БЕРМЕҢІЗ. Бақыланбаған балаларға өнімді тазалауға және оған техникалық қызмет көрсетуге болмайды.**
8. Барлық жөндеу, техникалық қызмет көрсету, түтіктерді және электр сымдарын жалғау жұмыстарын білікті мамандар түпнұсқалы қосалқы бөлшектерді ғана қолданып, орындауы тиіс. Жоғарыдағы нұсқаулары орындалмаған жағдайда құрылғының қауіпсіздігіне нұқсан келуі мүмкін, мұндай жағдайда өндіруші барлық жауапкершіліктерден босатылады.
9. Ыстық судың температурасын термостат реттейді, сондай-ақ ол судың қауіпті деңгейге дейін қызып кетуіне жол бермейтін сақтандырғыш рөлін атқарады.
10. Электр сымдарды осы нұсқаулықта көрсетілгендей жалғау қажет.
11. Құрылғы қуат кабелімен жабдықталған болса, сол қуат кабелін уәкілетті қызмет көрсету орталығы немесе білікті маман ғана ауыстыруы тиіс.
12. Жұмыс істемей тұрғанда немесе температура нөлден төмен түсетін жерлерде құрылғыдағы суды ағызуды ұмытпаңыз.
13. Тұтанғыш материалдарды құрылғыға тиіп тұрған қалпында немесе оның жанында қалдыруға болмайды.
14. Суқыздырғышты дененің сулы бөліктерімен немесе еденде жалаңаяқ тұрып тұртуге **ТЫЙЫМ салынады**.
15. Агрегатты пайдалану алдында және жүйелі немесе жоспардан тыс техникалық қызмет көрсету жұмыстарынан кейін агрегат багін сумен толтырып, барлық қалған ластануды кетіру үшін оны толығымен босату керек.
16. Агрегат астында тұрмаңыз және су кемуі әсер ететін нысандар астына қоймаңыз.

Таңба	Мағынасы
	Осы ескертуді ескермеу салдарынан адамдар жарақат алып, кейбір жағдайларда мерт болуы мүмкін.
	Осы ескертуді ескермеу салдарынан тіпті мүлікке, өсімдіктерге және жануарларға залал тиюі немесе жарақаттауы мүмкін
	Өнімнің жалпы және ерекше қауіпсіздік нұсқауларын ұстаныңыз.

ЖАЛПЫ ҚАУІПСІЗДІК НҰСҚАУЛАРЫ

№	Ескерту	Қауіп-қатер	Таңба
1.	Құрылғыны ашуға немесе орнатылған жерінен алуға болмайды	Электр жабдық кернеулі болғандықтан, ток соғуы мүмкін. Жарақат алу, ыстық құрамдас бөліктерге тиіп, күйіп қалу және үшкір жерлерге тиіп, жаралану қаупі	
2.	Құрылғыны қуат кабелінен ұстап сұғу/тарту арқылы іске қосуға немесе өшіруге болмайды	Қуат кабелі, оның айыры немесе розеткаға зақым келіп, ток соғуы мүмкін	
3.	Қуат кабеліне зақым келтірмеңіз	Кернеулі сымдарға тиіп, ток соғуы мүмкін	
4.	Құрылғыға заттарды қойып кетпеңіз	Дірілдеу салдарынан құрылғыдан заттар түсіп кетіп, адамдар жарақат алуы мүмкін	
		Дірілдеу салдарынан құрылғыдан заттар түсіп кетіп, құрылғыға немесе басқа мүлікке зақым келуі мүмкін	
5.	Құрылғыны үстіне мінуге болмайды	Құрылғыдан құлап кетіп, адамдар жарақат алуы мүмкін	
		Құрылғы тұғырынан ажырап кетіп, құрылғыға немесе басқа мүлікке зақым келуі мүмкін	
6.	Алдымен құрылғыны өшірмей, оның қуат кабелін ажыратпай немесе қуат қосқышын өшірмей, құрылғыны тазалауға болмайды	Электр жабдық кернеулі болғандықтан, ток соғуы мүмкін	
7.	Құрылғыны дірілдемейтін мықты қабырғаға орнатыңыз	Құрылымның қирауы немесе шулап жұмыс істеу салдарынан құрылғы қабырғадан түсіп кетуі мүмкін	
8.	Жалғанатын электр сымдардың жуандығы тиісті болуы керек	Электр сымдар қызып кетуі немесе тым жіңішке болуы салдарынан өрт шығуы мүмкін	
9.	Құрылғыны реттегеннен немесе жөндегеннен кейін, барлық қауіпсіздік және бақылау функцияларын қалпына келтіріп, қайтадан пайдалануға беруден бұрын, олар жұмыс істейтінін тексеріңіз	Дұрыс бақылау салдарынан құрылғыға зақым келуі немесе бұғауланып қалуы мүмкін	
10.	Ішінде ыстық су тұрған құрамдас бөліктермен жұмыс істемес бұрын, олардағы суды ағызу шүмектері арқылы ағызыңыз	Күйіп қалу қаупі бар	
11.	Жүйені өнімнің «қауіпсіздік парағындағы» нұсқауларға сәйкес қақтан тазартыңыз; қақтан тазартқан кезде, бөлмені желдету, қорғаныс киімдерін кию, өнімдерді араластырмау және құрылғының өзі мен маңайындағы кез келген заттарды қорғау қажет	Ұытты химиялық заттардың тері мен көзге тиюі, тыныспен ішке тартылуы немесе жұтылуы салдарынан адамдар жарақат алуы мүмкін	
		Қышқыл жеміруі салдарынан құрылғыға және маңайындағы заттарға зақым келуі мүмкін	
12.	Құрылғыны тазалау үшін инсектицидтерді, еріткіштерді немесе агрессивті жуғыш заттарды қолдануға болмайды	Пластик және боялған бөліктер мен қондырғыларға зақым келуі мүмкін	

ТЕХНИКАЛЫҚ СИПАТТАМАЛАРЫ

Техникалық сипаттамаларды сипаттамалар тақтасынан қараңыз (бұл тақта су қыздырғыштың оң жағында орналасқан).

ӨНІМ ТУРАЛЫ АҚПАРАТ					
Model	AURES M 6	AURES M 7.7	AURES M 8	AURES M 10.5	AURES M 12 TR
Қуаты (кВт)	6-7.1	7.7-9.1	8-9.5	10.5-12.5	12-12.9
Кернеуі (V)	220-240	220-240	220-240	220-240	400-415
Фазалар	одна				Three-phase
Орнату	декілька точок				
Модель	декілька точок				
Жйілік (Гц)	50/60				
Ток күші (А)	29.6	37.9	39.6	52.1	17.9
Электр диаграммасы	II	II	II	III	V
Судан қорғалу деңгейі	IP25				
Түтік қосылысы	1/2" BSP				
Минималды су қысымы (л / мин)	2.1				
Qelec (kWh)	2.119	--	--	--	--
Max water pressure	800 kPa (8 bar)				
Load profile	XXS	--	--	--	--
Lwa (dB)	15				
ηwh	40%	--	--	--	--
Номиналды көлемі (л)	0,35				
Салмағы (Kg)	2			2.2	2.2
Өлшемдері (мм)	304 x 180 x 110			304 x 220 x 110	

Өнімді тиісті жүйелік кедергісі 0,237 Омнан аспайтын қуат көзіне ғана жалғауға болады.

Пайдаланушы үй-жайындағы жалғау нүктесіндегі іс жүзіндегі тиісті жүйелік кедергі 0,237 Омнан асқан жағдайда, құзырлы орган жабдықты жалғауға шектеу қоюы мүмкін.

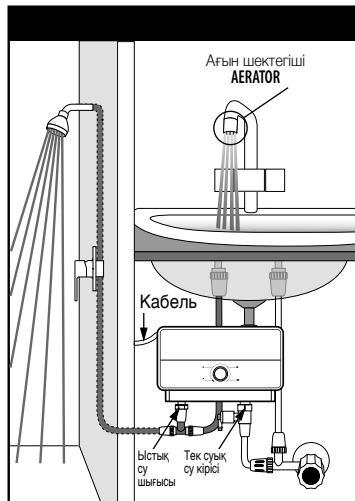
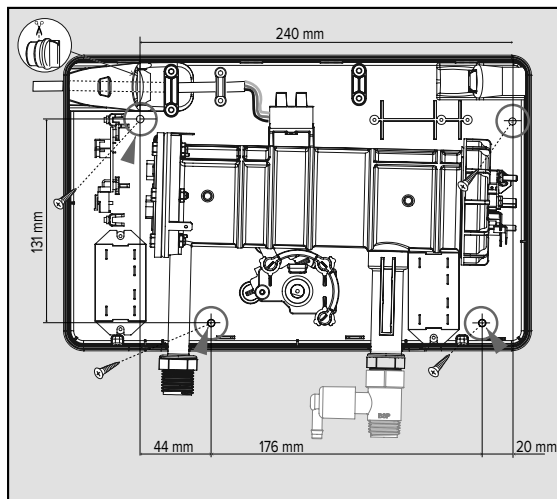
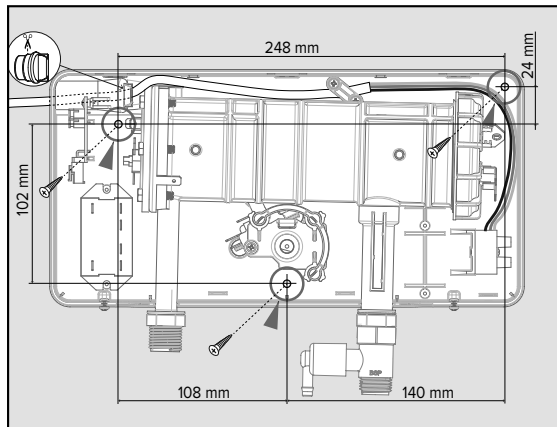
Бұл құрылғы IEC 60335-1 және IEC 60335-2-35 халықаралық электр қауіпсіздігі стандарттарына сәйкес келеді. Бар болған жағдайда, құрылғылардағы CE белгісі олардың төмендегі ЕК директиваларының негізгі талаптарына сәйкес келетінін дәлелдейді:

- Төмен кернеу директивасы (ТҚД): EN 60335-1, EN 60335-2-35, EN 60529, EN 62233, EN 50106.
- Электрмагниттік үйлесімділік (ЭМУ): EN 55014-1, EN 55014-2, EN 61000-3-2, EN 61000-3-3, EN 61000-3-11 және EN 61000-3-12.
- Қуатқа қатысты өнімдер (КҚӨ): Eu812, Eu814, EN50193-1-2013


ОРНАТУ НҰСҚАУЛАРЫ:

Құрылғыны білікті маман қолданыстағы қаулыларға және жергілікті денсаулық пен еңбекті қорғау қаулыларына сәйкес орнатуы және пайдалануға беруі.

1. Кез келген жұмыстарды атқармас бұрын, құрылғыны сыртқы айырып қосқышпен ток.
2. Құрылғының астыңғы жағында орналасқан екі винтті ашып, қақпақты тұғырынан алыңыз.
3. Тұғырды қабырғаға не шкафтың бүйіріне көлденеңінен бекітіңіз, кіріс және шығыс су құбырлары қондырғының төменгі/астыңғы жағында болады. Берілген бекіту винтін қолданыңыз.



4. Кіріс су құбырына берілген су сүзгісін орнатыңыз

5. Кіріс су желісін (тек суық) астыңғы оң жақтағы кіріс су құбырына жалғаңыз, ал шығыс су желісін астыңғы сол жақтағы шығыс су құбырына жалғаңыз. Су желісінің негізгі шүмегін ашып, қондырғыдан су тамбайтынын тексеріңіз.
6. Құрылғының қуат көзін ажырату үшін қолданыстағы ұлттық заңдарға сәйкес келетін барлық полюс ажыратқышын қолданыңыз (контакт аралығы кемінде 3 мм, сақтандырғыштармен жабдықталған болғаны жөн).
7. Қуат кабелін құрылғыға жалғаңыз. Құрылғыны жерге тұйықтау қажет, ал жерге тұйықтау кабелін таңбасымен белгіленген ағытпаға жалғау керек .
8. Қондырғыны қосып, ол ойдағыдай жұмыс істейтінін тексеріңіз.
9. Қақпақты 2 винтпен тұғырына қайта бекітіңіз.
10. Тізбекке жерге қысқа тұйықталу ажыратқышы/токтың жерге ағып кетуіне жол бермейтін тізбек ажыратқышы орнатылуы керек.

11. Қысымды түсіру клапаны (өніммен бірге беріледі) кіріс құбырынан бұрын дұрыс қаратылып орнатылғанына көз жеткізіңіз..**12. Шұңғылшаға немесе душқа ағын шектегішін (АЭРАТОРДЫ) орнату қажет.****13. ЕСКЕРТУ: ҚОНДЫРҒЫНЫ ТИІСТІ ТҮРДЕ ЖЕРГЕ ТҰЙЫҚТАУ ҚАЖЕТ****14. ОСЫ ҚЫЗДЫРҒЫШТЫҢ НОМИНАЛЫ ДҰРЫС ТІЗБЕК АЖЫРАТҚЫШЫ МЕН ТИІСТІ СЫМНАН ТҰРАТЫН БӨЛЕК ТІЗБЕГІ БОЛУЫ КЕРЕК, ҰСЫНЫЛҒАН КАБЕЛЬ КЕСТЕСІН ҚАРАҢЫЗ.**

ЕСКЕРТУ: Ток кабелі зақымдалған болса, қауіптің алдын алу үшін оны өндіруші, оның қызмет көрсету бойынша өкілі немесе сондай біліктілігі бар мамандар ауыстыруы тиіс.

ПАЙДАЛАНУ НҰСҚАУЛАРЫ

1. Жаңа Лездік су қыздырғыштың ағыны іске қосылды. Тұтқаны 3 қуат параметрінің біріне **I** (Төмен), **II** (Орташа), **III** (Жоғары)) бұраңыз, сол кезде өнім ҚОСЫ ЛЫП, ыстық су шүмегін қосады. Қыздыру элементі құрылғы арқылы су ағып өтіп жатқанда ғана іске қосылып, суды жылытады. Лездік қыздыру жүйесі іске қосылуы үшін қондырғы арқылы минутына 2,1 литр су ағып тұруы керек. Суды қыздырғыш арқылы бірнеше минут ағызыңыз.
2. Су кедергісіз ағуын қамтамасыз ету үшін су бүріккішті тұнбадан жүйелі тазалап тұрыңыз.
3. Кіріс су сүзгісін жүйелі тазалап тұрыңыз.
4. Лездік су қыздырғышты жылытылатын жерге орнату керек. Температурасы қатты төмендеп, су қату қаупі бар жерге құрылғыны орнатуға болмайды.
5. Пайдаланушы ыстық су температурасын қондырғыдағы қуат параметрін реттеу арқылы өзгерте алады. Пайдаланушы 4 параметр позициясының бірін таңдай алады:
 - O (Қосулы) - қыздыру элементі өшіп тұрады
 - I (Төмен) - тек 1-ші қыздыру элементі қосылады.
 - II (Орташа) - тек 2-ші қыздыру элементі қосылады.
 - III (Жоғары) - 1-ші және 2-ші қыздыру элементтері қосылып, бірге жұмыс істейді..

ОРНАТУ ТАЛАПТАРЫ

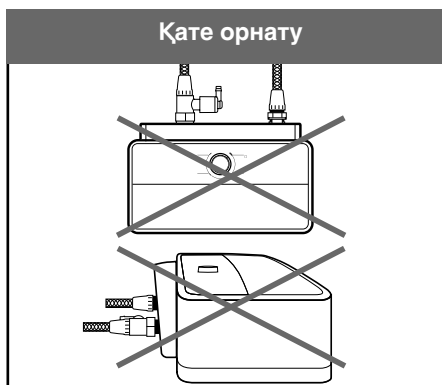
- A. Бөлек ток желісі қажет.
- B. Құрылғыны бөлек тізбек ажыратқышына жалғау керек.
- C. Құрылғыға ток беру үшін қолданылуы ұсынылған ток кабелін I кестеден қараңыз (келесі бетте).

ОРНАТУ

Кітапшаның соңындағы электр сызбаларын қараңыз.

ЕСКЕРТУ!

ТОК СОҒУ ҚАУПІНІҢ АЛДЫН АЛУ ҮШІН, ЭЛЕКТР БӨЛШЕКТЕРДІ ОРНАТУҒА ҚАТЫСТЫ КЕЗ КЕЛГЕН ЖҰМЫСҚА КІРІСПЕН БҰРЫН, ТІЗБЕН АЖЫРАТҚЫШЫ «ӨШІРУЛІ» ҚАЛЫПТА ТҰРҒАНЫНА КӨЗ ЖЕТКІЗІҢІЗ



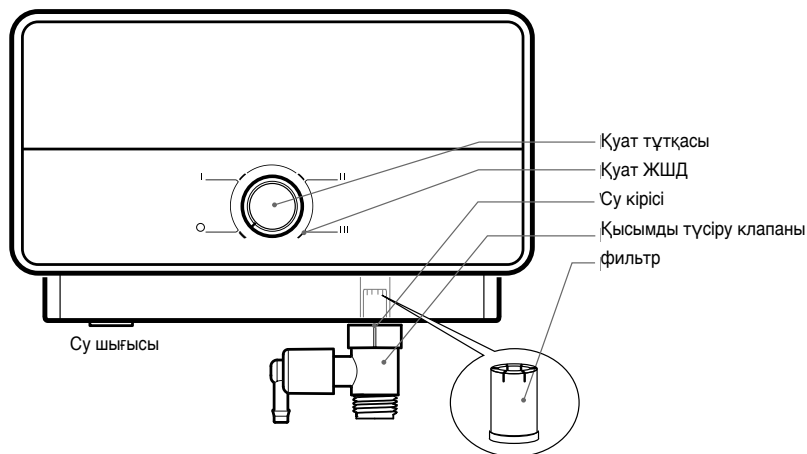
НАЗАР АУДАРЫҢЫЗ

Осы құрылғының су кірісі кез келген басқа су қыздыру жүйесінен алынған кіріс суға жалғанбауы тиіс

I кесте: Ұсынылған кабель

Қуаты	Жүктелген кВт			Қыздыру параметрі	Ұсынылған кабель өлшемі	Ұсынылған сақтандырғыш номиналы
	220В	230В	240В			
AURES M 6	6	-	7.1	3.5+2.5 kW	H05VV-F 3x4 mm ²	32 A
AURES M 7.7	7.7	-	9.1	4.4+3.3 kW	H05VV-F 3x6 mm ²	40 A
AURES M 8	8	-	9.5	4.0+4.0 kW	H05VV-F 3x 6mm ²	40 A
AURES M 10.5	10.5	-	12.5	5.25+5.25 kW	H05VV-F 3x10 mm ²	63 A

Қуаты	Жүктелген кВт			Қыздыру параметрі	Ұсынылған кабель өлшемі	Ұсынылған сақтандырғыш номиналы
	400V	415V	--			
AURES M 12 TR	12	12.9	--	4+4+4 kW	H05VV-F 5G4	3 x 32 A
<ul style="list-style-type: none"> • Жұмыс су қысымы 50-800 kPa (0.5-8 бар) • Су қысымымен реттелетін қуат қосқышы • Стандартты 1/2" Ø дюйм сығымдайтын кіріс қосылысы • Жоғарғы сол жақ кабель кірісі • Төменгі оң жақ су кірісі 						
Құрылғының өлшемдері:: Биіктігі 180 мм ені 304мм қалыңдығы 110мм						
Құрылғының өлшемдері:: Биіктігі 220 мм ені 304мм қалыңдығы 110мм						



БҰЛ ӨНІМ WEEE 2012/19/EU ДИРЕКТИВАСЫНА СӘЙКЕС КЕЛЕДІ.

Құрылғыдағы үсті сызылған қоқыс қағаз сәбетінің таңбасы қызмет мерзімі аяқталғаннан кейін оны тұрмыстық қоқыстан бөлек тастау, сондай-ақ электр және электрондық жабдықты тастауға арналған мекемелерге тапсырылуы немесе жаңа өнімді сатып алған кезде сатушыға қайтарылуы керек екенін білдіреді. Пайдаланушы қызмет мерзімі аяқталған өнімді тиісті қоқыс жинау орталығына тапсыруға жауапты. Қоқыс жинау орталығы (ол арнайы өңдеу және көдеге жарату процедураларына сәйкес құрылғыны тиімді түрде бөлшектеп, тастайды) өнімдегі материалдарды көдеге жарату арқылы қоршаған ортаны қорғауға көмектеседі. Қоқыс жинау жүйелері туралы толығырақ мәлімет алу үшін жергілікті қоқыс жинау орталығына немесе өнімді сатқан дүкенге хабарласыңыз.

Ақаулықтарды жою

НЫШАН	ЫҚТИМАЛ СЕБЕБИ	ШЕШІМІ
Су жетерліктей ыстық емес	Қыздырғыш арқылы тым көп су ағып өтуде Қоршаған орта температурасы төмендеген Су қысымы 100 кПа-дан төмен Ток ақауы	Су беру шүмегімен су ағының жылдамдығын азайтыңыз. Одан жоғары температура параметріне ауыстырыңыз. Су желісіндегі жапқыш клапан толығымен ашық екенін және су беру желісінде басқа кедергілер жоқ екенін тексеріңіз. Қыздырғышты білікті электршіге тексертіңіз немесе уәкілетті жергілікті дистрибьюторға хабарласыңыз.
Су тым ыстық	Қыздырғыш арқылы тым аз су ағып өтуде Қоршаған орта температурасы көтерілген	Су беру шүмегімен ағын жылдамдығын арттырыңыз Одан төмен температура параметріне ауыстырыңыз
Қолдану кезінде қыздырғыш қосқышы өшіп тұрады	Ток желісінің бір жері үзілген ELSD іске қосылған, жерге ток кетіп жатқан болуы мүмкін	Кіріс қуат көзін, негізгі басқару тақтасын, айырып қосқыштарды және ток беру кабельдерін тексеріңіз. Жерге ток кетіп жатпағанын тексеріп, ELSD құралын тексеріңіз Ақау шешілмей қойса, көмек алу үшін уәкілетті жергілікті дистрибьюторға хабарласыңыз.
Су ақпайды	Су бүріккіш бітелген, иілгіш душ түтігі майысқан немесе бітелген. Су берілмейді.	Су бүріккішті тазалаңыз не ауыстырыңыз; түтік арқылы су кедергісіз өтетінін тексеріңіз. Қажет болса ауыстырыңыз. Су беру желісін, жапқыш клапан ашық тұрғанын және кедергі жоқ екенін тексеріңіз.
Қолданған кезде су бір ыстық, бір суық болып, ауытқып тұрады.	Су қысымы мин. деңгейден азайған.	Берілетін ыстық су мөлшерін арттырыңыз.
Ыстық су шүмегі толығымен ашық болғанына қарамастан, ыстық су ақпайды	Ток жоқ Ағын жылдамдығы қыздыру элементін іске қосатын мәнге жетпеген.	Тізбек ажыратқышын және жалғау панеліндегі кернеуді тексеріңіз. Сүзгі бетін тазалаңыз <ul style="list-style-type: none"> • Тізбек ажыратқышын өшіріңіз • Қондырғыдан қысымды шығару үшін ыстық клапанды ашыңыз. • Тізбек ажыратқышын қосыңыз.

უსაფრთხოების ზოგადი ინსტრუქციები გაფრთხილება !

1. ეს სახელმძღვანელო ამ პროდუქტის განუყოფელ ნაწილს წარმოადგენს. გაუფრთხილდით მას, შეინახეთ მოწყობილობასთან ერთად და მისი მომხმარებლის/მფლობელის შეცვლის შემთხვევაში, ეს სახელმძღვანელოც მას გადაეცით.
2. ყურადღებით გაეცანიეთ ამ სახელმძღვანელოში მოცემულ ინსტრუქციებს და გაფრთხილებებს, რადგან მათში მოცემულია ამ მოწყობილობის უსაფრთხო მონტაჟთან, გამოყენებასთან და მოვლასთან დაკავშირებული მნიშვნელოვანი ინფორმაცია.
3. ამ მოწყობილობის მონტაჟი და ექსპლუატაციაში გაშვება უნდა მოხდეს კვალიფიციური სპეციალისტის მიერ ადგილობრივი კანონმდებლობის და ჯანდაცვისა და უსაფრთხოების რეგულაციების მოთხოვნების შესაბამისად. ტერმინალის ბლოკის გახსნამდე ყველა ელექტრული კვების წრედი გათიშული უნდა იყოს.
4. ეს მოწყობილობა გამოყენებულ უნდა იქნას მხოლოდ პირდაპირი დანიშნულებით. მწარმოებელი არ არის პასუხისმგებელი ზიანზე, რომელიც შეიძლება გამოწვეული იყოს ამ მოწყობილობის არასათანადო ან არასწორი ექსპლუატაციით ან წინამდებარე სახელმძღვანელოში მოცემული ინსტრუქციების უგულვებელყოფით.
5. არასწორმა მონტაჟმა შეიძლება ქონების დაზიანება და ადამიანის ან ცხოველების დაზავება გამოიწვიოს. ამ შემთხვევაში მწარმოებელი არ არის პასუხისმგებელი მიყენებულ ზიანზე.
6. შესაფუთი მასალები (სტეპლერის ტყვიები, პლასტიკური პაკეტები, პოლისტიროლის გაშლილი ლენტები და ა.შ.) ბავშვებისთვის მიუწვდომელ ადგილას უნდა შეინახოთ, რადგან ამ მასალებს სხეულის სერიოზული დაზიანების გამოწვევა შეუძლია.
7. ეს მოწყობილობა შეიძლება გამოყენებულ იქნას 3 წლის და ზემოთ მოყვანილი ბავშვებისა და ფიზიკური, სუნთქვითი ან განვითარების შესაძლებლობების შემცირებით ან გამოცდილებისა და ცოდნის ნაკლებობით, თუ მათ გადაეცათ ზედამხედველობის ორნაკეთი უსაფრთხო გზაზე უსაფრთხო გზაზე და გაეცანით საფრთხეს. არ მისცეთ ბავშვებს ამ მოწყობილობით თამაშის უფლება. ამ მოწყობილობის წმენდა და მოვლა არ უნდა განხორციელდეს მეთვალყურეობის გარეშე დატოვებული ბავშვების მიერ.
8. ნებისმიერი სარემონტო და ტექნოსახურების, წყალოგაყვანილობასთან და ელექტრობასთან მიერთების სამუშაოები უნდა განხორციელდეს კვალიფიციურებული სპეციალისტების მიერ, მხოლოდ ორიგინალი სათადარიგო ნაწილების გამოყენებით. ზემოთ აღნიშნული ინსტრუქციების შეუსრულებლობამ შეიძლება საფრთხეები წარმოშვას. ამ შემთხვევაში მწარმოებელი არ არის პასუხისმგებელი მიყენებულ ზიანზე.
9. ცხელი წყლის ტემპერატურა რეგულირდება თერმოსტატის საშუალებით, რომელსაც ასევე უსაფრთხოების სისტემის ფუნქცია აკისრია, რადგან ის მოწყობილობას გადახურებისგან იცავს.
10. ელექტრულ ქსელთან შეერთება უნდა მოხდეს ამ სახელმძღვანელოში მითითებული ინსტრუქციების შესაბამისად.
11. თუ მოწყობილობა აღჭურვილია დენის კაბელით, ამ უკანასკნელის შეცვლა უნდა განხორციელდეს უფლებამოსილი მომსახურების ცენტრის წარმომადგენლის ან კვალიფიციური სპეციალისტის მიერ.
12. ექსპლუატაციიდან ამოღების ან ნულზე დაბალ ტემპერატურულ გარემოში მოთავსების შემთხვევაში ეს მოწყობილობა წყლისგან უნდა დაიცავდეს.
13. არ მოათავსოთ აალებადი მასალები ამ მოწყობილობაზე ან მის სიახლოვეს.
14. არ შეეხოთ აპარატს, როდესაც ფეხშიშველი ხართ ან თქვენი სხეულის რომელიმე ნაწილი სველია
15. მოწყობილობის გამოყენებამდე და რუტინული ან საგანგებო მოვლა-პატრონობის შემდეგ, ჩვენი გირჩევთ, შეავსოთ მოწყობილობის ავზი წყლით და სრულად დაიწიოთ, რათა თავიდან იქნას აცილებული ნარჩენების მინარევი.
16. წყლის გამაცხელებლის კვშ არ მოათავსოთ ისეთი რამ, რაც შეიძლება დაზიანდეს გაუონვით.

სიმბოლო	შნიშვნელობა
	ამ გაფრთხილების უგულვებელყოფამ შეიძლება სხეულის დაზიანება გამოიწვიოს, რაც, ზოგ შემთხვევაში, შეიძლება ფატალური აღმოჩნდეს
	ამ გაფრთხილების უგულვებელყოფამ შეიძლება სხეულის დამავება, ქონების, მცენარეების და ცხოველების დაზიანება გამოიწვიოს
	გაცანით ამ პროდუქტთან დაკავშირებულ ზოგად და სპეციფიურ უსაფრთხოების ინსტრუქციებს.

ზოგადი უსაფრთხოების სტანდარტები

ნომ.	ფრთხილად	რისკი	სიმბოლო
1.	არ მოხსნათ საფარი ამ მოწყობილობას ან არ გადაადგილოთ მოწყობის ადგილიდან	არსებობს დენისდარტყმის საფრთხე, რადგან ელექტრული აღჭურვილობა ძაბვის ქვეშაა. სხეულის დაზიანება უცნობი კომპონენტებით გამოწვეული დამწვრობა ან ბასრი კიდევებით გამოწვეული ჭრილობები	
2.	არ ჩართოთ ან გათიშოთ ეს მოწყობილობა დენის კაბელის როზეტში შეერთებით/როზეტიდან ჩასხნით	არსებობს დაზიანებული კაბელით, ელექტროჩაჩვლით ან როზეტით გამოწვეული დენის დარტყმის საფრთხე	
3.	უცადეთ არ დააზიანოთ დენის კაბელი	არსებობს ძაბვის ქვეშ მყოფი უიზოლაციო სადენით გამოწვეული დენის დარტყმის საფრთხე	
4.	არ მოათავსოთ საგნები ამ მოწყობილობაზე	ვიბრაციის გამო შეიძლება ეს საგნები მოწყობილობის კორპუსიდან გადმოვივიდეს და სხეულის დაზიანება გამოიწვიოს	
		ვიბრაციის გამო საგნების გადმოვარდნამ შეიძლება ამ მოწყობილობის ან სხვა ქონების დაზიანება გამოიწვიოს	
5.	არ აძვრეთ ამ მოწყობილობის კორპუსზე	შეიძლება გადმოვარდეთ და სხეულის დაზიანება მიიღოთ	
		მოწყობილობა შეიძლება სამაგრებიდან მოძვრეს და თვით ამ მოწყობილობის ან სხვა ქონების დაზიანება გამოიწვიოს	
6.	სანამ ამ მოწყობილობის წმენდას დაიწყებთ, პირველ რიგში, გათიშეთ კვების წყაროდან, რისთვისაც ჩაახსნით დენის კაბელი ან გამორთეთ გამომრთველის მეშვეობით	არსებობს დენის დარტყმის საფრთხე, რადგან ელექტრული აღჭურვილობა ძაბვის ქვეშაა	
7.	დამონტაჟეთ ეს მოწყობილობა მყარ, არავიბრირებად კედელზე	არსებობს ამ მოწყობილობის კედლის საკიდიდან ჩამოვარდნის საფრთხე, ამ შემთხვევაში მოწყობილობამ შეიძლება ძლიერად ინმალოს	
8.	დარწმუნდით, რომ ელექტრო ქსელთან შეერთების დროს იყენებთ სათანადო სისქის სადენებს	წვრილი სადენების გამოყენებამ შეიძლება ამ სადენების გადახურება და ნაწილი გამოიწვიოს	
9.	ამ მოწყობილობის ტექნიკური დანართების შემდეგ, მის ჩართვამდე გააკეთებთ ყველა უსაფრთხოების და კონტროლის ფუნქციას და შემოწმებთ მათი გამართულობა	არასთანადო კონტროლმა შეიძლება მოწყობილობის დაზიანება ან აჭკვევა გამოიწვიოს	
10.	მოწყობილობის მომსახურების დაწყებამდე დაცალეთ ყველა კომპონენტი ცხელი წყლისგან, რისთვისაც მოუშვით სადენზე სარქველები	არსებობს დამწვრობის მიზეზის საფრთხე	
11.	სისტემის ნაწილისგან გაწმენდის დროს, გამოიყენეთ საწმენდი საშუალებების „უსაფრთხოების ინსტრუქციები“. ამ დროს გაანაივეთ ოთახი, გამოიყენეთ დამაკვი ტანსაცმელი, ურთამანეთი არ აუროთ სხვადასხვა საწმენდი პროდუქტები და უზრუნველყავით თვით მოწყობილობის და გარემოს არსებული საგნების დაცვა დაზიანებისგან	არსებობს საწმენდი მასალაში შემავალი ტოქსიკური ნივთიერების კანზე და თვალი მოხვედრით, მისი ჩასუნთქვით ან ჩაყლაპვით გამოწვეული სხეულის დაზიანების საფრთხე	
		არსებობს მოწყობილობის და გარემოს არსებული საგნების მკვავით გამოწვეული კოროზიით დაზიანების საფრთხე	
12.	ამ მოწყობილობის წმენდისთვის არ გამოიყენოთ ინსექტიციდები, გახსნილები ან აგრესიული სარეცხი საშუალებები	ამან შეიძლება პლასტიკის ან შედეგის ნაწილების და კომპონენტების დაზიანება გამოიწვიოს	

ტექნიკური მახასიათებლები

ტექნიკური სპეციფიკაციების გასაცნობად იხილეთ საინფორმაციო ფირფიტა (საინფორმაციო ფირფიტა დამაგრებულია წყლის გამაცხელებლის მარჯვენა მხარეს).

ინფორმაცია პროდუქტის					
მოდელი	AURES M 6	AURES M 7.7	AURES M 8	AURES M 10.5	AURES M 12 TR
სიმძლავრე (კვტ)	6-7.1	7.7-9.1	8-9.5	10.5-12.5	12-12.9
Voltage (V)	220-240	220-240	220-240	220-240	400-415
ფაზები	მონო				Three-phase
მონტაჟი	მრავალპუნქტიანი				
მოწყობა	დანურვა გასასვლელი				
სიხშირე (ჰც)	50/60				
ამპერი (A)	29.6	37.9	39.6	52.1	17.9
ელექტრო დიაგრამა	II	II	II	III	V
წყლის დაცვა	IP25				
წყლისგან დაცვა	1/2" BSP				
წყლის მინიმალური წნევა (ლ / წთ)	2.1				
Qelec (კვტ.სთ)	2.119	--	--	--	--
წყლის მაქსიმალური წნევა	800 kPa (8 bar)				
Load profile	XXS	--	--	--	--
Lwa (dB)	15				
ηwh	40%	--	--	--	--
ნომინალური მოცულობა (ლ)	0,35				
წონა (კგ)	2			2.2	2.2
ზომები (მმ)	304 x 180 x 110			304 x 220 x 110	

ეს პროდუქტი უნდა ჩაირთოს მხოლოდ იმ ელექტრო ქსელში, რომლის სისტემის წინააღმდეგ არ აღემატება 0.237 ომს.

თუ თქვენი ელექტრო ქსელის სისტემის წინააღმდეგ აღემატება 0.237 ომს, ელექტროენერჯის მომწოდებელი უწყების მიერ შეიძლება დაწესდეს შეზღუდვა ამ მოწყობილობის ქსელში ჩართვასთან დაკავშირებით.

ეს მოწყობილობა შეესაბამება საერთაშორისო ელექტროული უსაფრთხოების სტანდარტებს

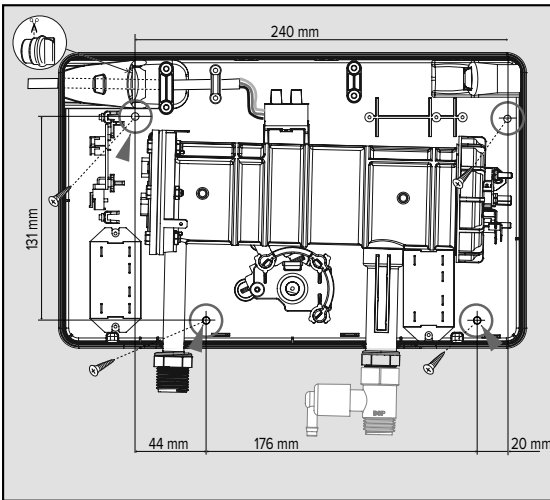
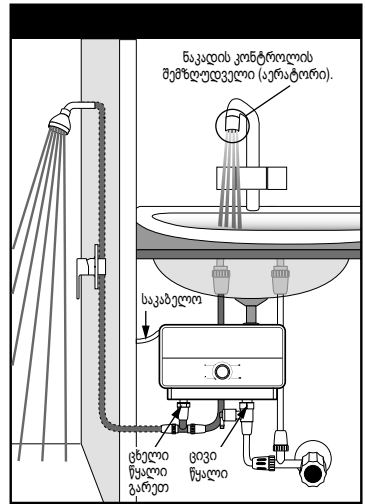
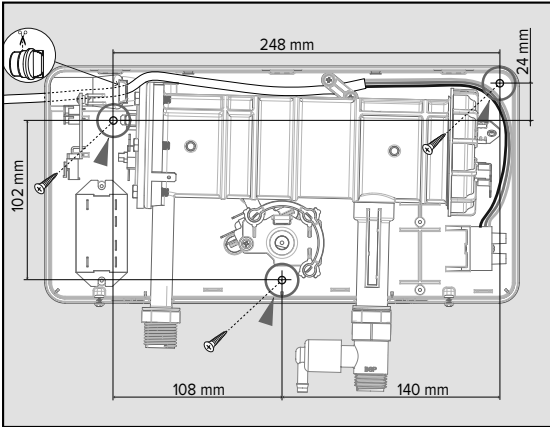
IEC 60335-1 და IEC 60335-2-35. წარწერა „CE“ აღნიშნავს, რომ მოწყობილობა შეესაბამება ევროკომისიის ქვემოთ ჩამოთვლილ დირექტივებს და აკმაყოფილებს მათ ძირითად მოთხოვნებს:

- LVD დაბალ ძაბვასთან დაკავშირებული დირექტივა: EN 60335-1, EN 60335-2-35, EN 60529, EN 62233, EN 50106.
- EMC ელექტრომაგნიტური თავსებადობა: EN 55014-1, EN 55014-2, EN 61000-3-2, EN 61000-3-3, EN 61000-3-11 და EN 61000-3-12.
- ERP ენერჯიასთან დაკავშირებული პროდუქტები: Eu812, Eu814, EN50193-1-2013

მონტაჟის ინსტრუქციები

მონტაჟის ინსტრუქციები ამ მოწყობილობის მონტაჟი და ექსპლუატაციაში გაშვება უნდა მოხდეს კვალიფიციური სპეციალისტის მიერ ადგილობრივი კანონმდებლობის და ჯანდაცვისა და უსაფრთხოების რეგულაციების მოთხოვნების შესაბამისად.

1. ნებისმიერი მომსახურების დაწყებამდე, გათიშეთ ეს მოწყობილობა კვების წყაროდან გარე წრედის ამომრთველის მეშვეობით
2. მოუშვით მოწყობილობის ქვედა მხარეს არსებული ორი ხრახნი და მოხსენით საფარი
3. დაამაგრეთ ძირი კედელზე ან კარადის გვერდზე ჰორიზონტალურ მდგომარეობაში, წყლის შემავალი და გამომავალი მილების შეერთების ადგილები განთავსებულია დანადგარის ქვედა ნაწილში. კედელზე დასამაგრებლად გამოიყენეთ კომპლექტში შემავალი ხრახნი.



4. მოწოდებული წყლის ფილტრი დაამაგრეთ შემავალი წყლის მიღში

5. შეაერთეთ შემავალი წყლის მილი (მხოლოდ ცივი წყლისთვის) შემავალი წყლის მილის პორტთან, რომელიც განთავსებულია დანადგარის ქვედა მარჯვენა მხარეს, ხოლო გამომავალი წყლის მილი შეაერთეთ გამომავალი წყლის მილის პორტთან, რომელიც განთავსებულია ქვედა მარცხენა მხარეს. გახსენით წყლის მიწოდების სარქველი და შეამოწმეთ, წყალი ხომ არ ჟონავს დანადგარიდან
6. გამოიყენეთ მრავალპოლუსიანი ჩამრთველი რომელიც შეესაბამება მოქმედ სახელმწიფო კანონებს (კონტაქტებს შორის სიცარიელე სულ მცირე 3 მმ, სასურველია აღჭურვილი იყოს დამცველებით) იმისათვის, რომ ელექტროტექნიკური ხელსაწყო გამოერთოს კვების წყაროდან.
7. ტყერათე დენის კაბელი მოწყობილობასთან. ეს ტექნიკა მოწყობილობა უნდა იყოს დამიწებული, რისთვისაც დამიწების კაბელი შეაერთეთ სიმბოლოთი აღნიშნულ ტერმინალთან. (+)
8. ჩართეთ მოწყობილობა და შეამოწმეთ, მუშაობს თუ არა გამართულად.
9. დაამაგრეთ საფარი და მოუჭირეთ 2 ხრახნით..
10. აუცილებელია ელექტრულ წრედში ჩართული იყოს დენის გაქონვისგან დამცავი წრედის ამომრთველი.
11. **შემავალი წყლის მილის შეერთებამდე დარწმუნდით, რომ წნევის გამომწვევები სარქველი (მოწოდებულია პროდუქტთან ერთად) სწორად არის დამონტაჟებული**

12. ნიჟარაზე ან სამსაპეზე უნდა დამონტაჟდეს ნაკადის კონტროლის მემზღუდეველი (აერატორი).

13. ფრთხილად: დანადგარი სათანადოდ უნდა იყოს დამიწებული

14. გამაცხელებელი შეერთებული უნდა იყოს დამოუკიდებელ წრედის ამომრთველზე სათანადო პარამეტრების მქონე წრედის ამომრთველით და სათანადო სისქის სადენით. რეკომენდებული კაბელის შესახებ ინფორმაციისთვის იხილეთ ცხრილი.

გაფრთხილება: თუ კვების კაბელი დაზიანებულია, უნდა შეიცვალოს მწარმოებლის, მომსახურების აგენტის ან შესაბამისი კვალიფიკაციის მქონე პირების მიერ საფრთხის თავიდან ასაცილებლად.

გამოყენებასთან დაკავშირებული ინსტრუქციები

1. თქვენი ახალი მყისიერი წყლის გამაცხელებელი აქტიურდება წყლის ნაკადის მეშვეობით. დააყენეთ სიმძლავრის რეგულატორი 3-დან ერთ-ერთ პოზიციასზე (დაბალი, საშუალო, მაღალი), ეს პროდუქტი ჩართვება. გახსენით წყლის ონკანი. გამაცხელებელი ელემენტი გააქტიურდება და გაათბობს წყალს მხოლოდ მას შემდეგ, რაც წყლის ნაკადი მოხვდება ამ მოწყობილობის სისტემაში. მყისიერი გაცხელების სისტემის გააქტიურებისთვის წყლის ნაკადის სიჩქარე უნდა იყოს მინიმუმ 2,1 ლიტრი წამში. გამაცხელებელში წყლის ნაკადის გაშვების შემდეგ დაელოდეთ რამდენიმე წუთი.
2. წყლის უწყვეტი ნაკადის უზრუნველსაყოფად პერიოდულად გაწმინდეთ შხაპის თავაკი ნადებისგან.
3. პერიოდულად გაწმინდეთ შემავალი წყლის ფილტრი.
4. თქვენი მყისიერი წყლის გამაცხელებელი უნდა დაამონტაჟოთ გათბობის სისტემის მქონე ოთახში. ეს მოწყობილობა არ უნდა დამონტაჟდეს იმ ადგილას, სადაც ჰაერის ტემპერატურა ძალიან დაბლა ეცემა და შესაძლებელია წყალი გაიყინოს.
5. მომხმარებელს შეუძლია წყლის ტემპერატურა დაარეგულიროს სიმძლავრის რეგულატორის მეშვეობით. მომხმარებელს შეუძლია აირჩიოს რეგულატორის 4 პოზიციიდან ერთ-ერთი:
 O - გამაცხელებელი ელემენტი გათიშულია
 - I - ჩართულია მხოლოდ 1-ლი გამაცხელებელი ელემენტი.
 - II - ჩართულია მხოლოდ მე-2 გამაცხელებელი ელემენტი.
 - III - ერთად ჩართულია 1-ლი და მე-2 გამაცხელებელი ელემენტები.

მონტაჟთან დაკავშირებული მოთხოვნები

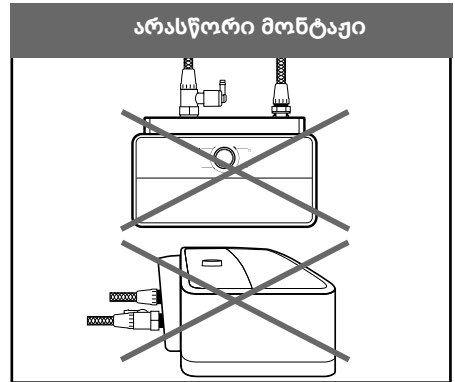
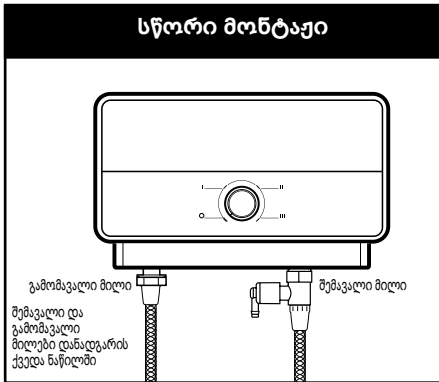
- ა. საჭიროა ცალკე ელექტრო კვების სადენი.
- ბ. ეს დანადგარი უნდა შეერთდეს დამოუკიდებელ წრედის ამომრთველთან.
- გ. რეკომენდებული დენის კაბელის სანახავად იხილეთ ცხრილი | (მომდევნო გვერდზე).

მონტაჟი

იხილეთ ელექტრონული დიაგრამები ბროშურის ბოლოს

ფრთხილად!

დენის დარტყმის საფრთხის თავიდან ასაცილებლად, ელექტრობასთან დაკავშირებული ნებისმიერი სამუშაოს დაწყებამდე დარწმუნდით, რომ წრედის ამომრთველი გათიშულია



ყურადღება

ამ ელექტროტექნიკური მოწყობილობის წყლის შემშვები არ უნდა მიუერთდეს ნებისმიერი სხვა წყლის გამაცხელებელი სისტემის წყლის გადამცემს

ცხრილი I: რეკომენდებული კაბელი

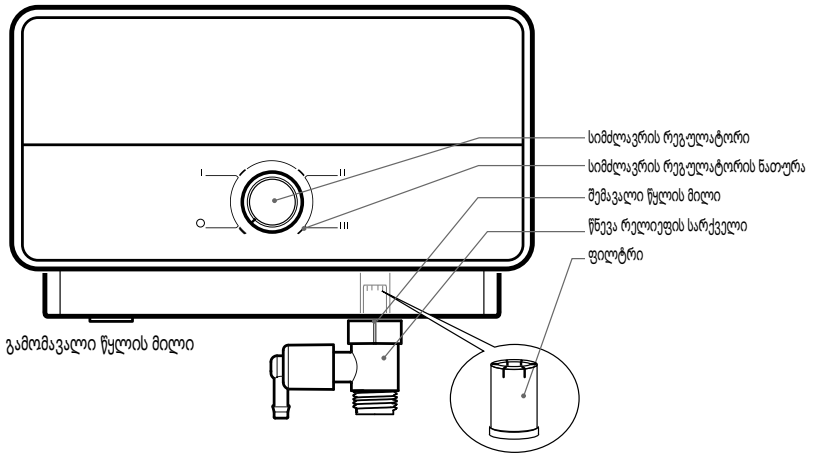
სიმძლავრე	კვტ დატვირთვა			გამაგნელების პარამეტრების დაყენება:	კაბელის რეკომენდებული ზომა	მცველის რეკომენდებული რეიტინგი
	220V	230V	240V			
AURES M 6	6	-	7.1	3.5+2.5 kW	H05VV-F 3x4 mm ²	32 A
AURES M 7.7	7.7	-	9.1	4.4+3.3 kW	H05VV-F 3x6 mm ²	40 A
AURES M 8	8	-	9.5	4.0+4.0 kW	H05VV-F 3x 6mm ²	40 A
AURES M 10.5	10.5	-	12.5	5.25+5.25 kW	H05VV-F 3x10 mm ²	63 A

სიმძლავრე	კვტ დატვირთვა			Heating Settin	Recommended Cable Size	Recommended Fuse Rating
	400V	415V	--			
AURES M 12 TR	12	12.9	--	4+4+4 kW	H05VV-F 5G4	3 x 32 A

* წყლის სამუშაო წნევა 50-800 კპა (0.5-8 ბარი) • გამაგნელების ჩამრთველის გააქტიურებისთვის საჭიროა წყლის წნევა • სტანდარტული 1/2" მ შემაჯავლი მილი კომპრესიისთვის • ზედა მარჯვენა კაბელის შესასვლელები • ქვედა მარჯვენა ზვრელი წყლის მილის შესართებლად

დანადგარის ზომები: სიმაღლე 180მმ სიგანე 304მმ სიღრმე 110მმ

დანადგარის ზომები: სიმაღლე 220მმ სიგანე 304მმ სიღრმე 110მმ



ეს პროდუქტი შეესაბამება WEEE 2012/19/EU დირექტივას.

როდესაც მოწყობილობაზე გამოსახულია სიმბოლო გადანაზული ნაგვის ყუთით, ეს ნიშნავს, რომ მისი ექსპლუატაციის ვადის გასვლის შემდეგ ეს მოწყობილობა არ უნდა იქნას გადაგებული სხვა საყოფაცხოვრებო ნაგავთან ერთად, არამედ ის უნდა განადგურდეს ელექტრო და ელექტრონული მოწყობილობების გადამამუშავებელ სპეციალურ დაწესებულებაში ან, ანალი მოწყობილობის შექმნის შემთხვევაში, დაუბრუნდეს მოწყობილობის მომწოდებელ ორგანიზაციას. მომხმარებელი პასუხისმგებელია ამ პროდუქტის ნარჩენების გადამამუშავებელ ცენტრში მიტანაზე მისი ექსპლუატაციიდან ამოღების შემდეგ. ნარჩენების გადამამუშავებელი ცენტრი (სადაც მოწყობილობის ეფექტურად დაშლისთვის და უტილიზაციისთვის გამოიყენება სპეციალური გადამამუშავების პროცესები) პროდუქტის შემადგენელი ნაწილების გადამამუშავების მეშვეობით ხელს უწყობს გარემოს დაცვას. ნარჩენების უტილიზაციის სისტემების შესახებ დამატებითი ინფორმაციის მისაღებად, ეწვიეთ ადგილობრივ ნარჩენების გადამამუშავებელ ცენტრს ან თქვენი პროდუქტის მომწოდებელ ორგანიზაციას.

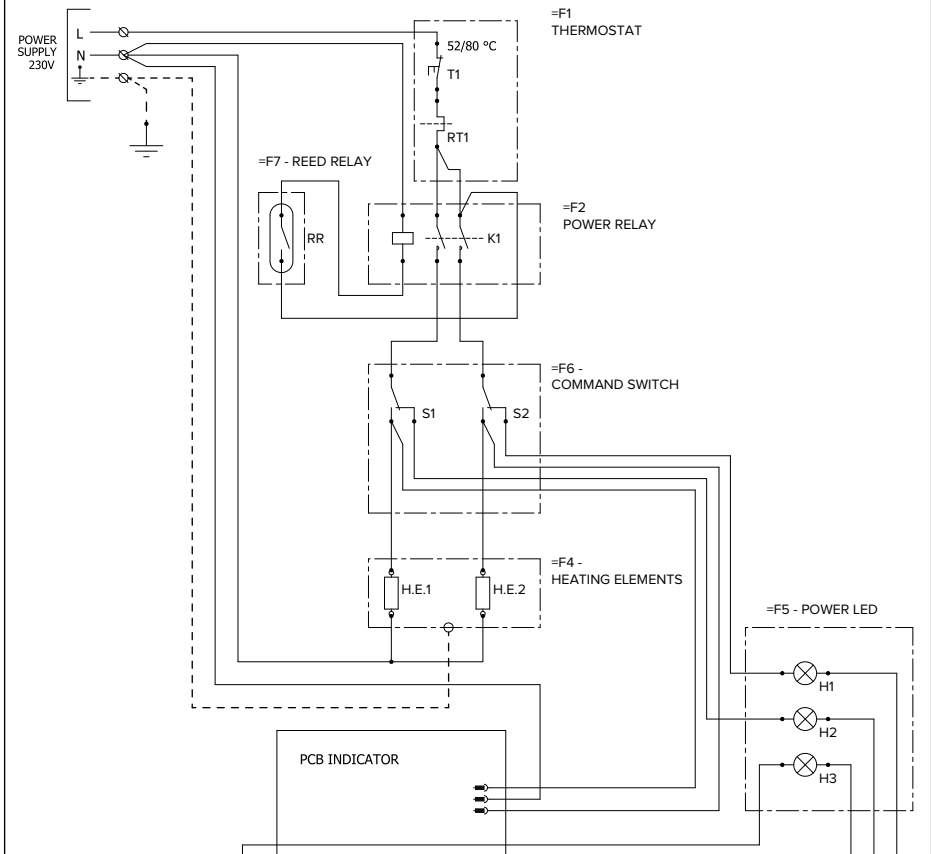
გაუმართაობის აღმოფხვრა

სიმპტომი	სავარაუდო მიზეზი	პრობლემის გადაჭრა
წყალი საკმარისად ცხელი არ არის	გამაცხელებელში გამავალი წყლის ნაკადის სიჩქარე ძალიან მაღალია გარემოს ტემპერატურა დაბალია წყლის წნევა 100 კპა-ზე დაბალია ადგილი აქვს ელექტრო სისტემის გაუმართაობას	შეამცირეთ წყლის ნაკადის სიჩქარე გამოშავალ მილიზე არსებული ონკანის მეშვეობით. მოწყობილობა უფრო მაღალ ტემპერატურულ რეჟიმზე დააყენეთ. შეამოწმეთ, თუ არის წყლის მიწოდების მილის სარქველი ბოლომდე გახსნილი და ხომ არ არის წყლის მიწოდების მილი გაჭედილი. გამაცხელებელი დანადგარი შეამოწმებინეთ კვალიფიციურ ელექტრიკოსს ან დაუკავშირდით ადგილობრივ უფლებამოსილ დისტრიბუტორს.
წყალი ძალიან ცხელია	გამაცხელებელში გამავალი წყლის ნაკადის სიჩქარე დაბალია გარემოს ტემპერატურა მაღალია	გაზარდეთ წყლის ნაკადის სიჩქარე გამოშავალ მილიზე არსებული ონკანის მეშვეობით მოწყობილობა უფრო დაბალ ტემპერატურულ რეჟიმზე დააყენეთ
გამოყენების დროს წყლის გამაცხელებელი ითიშება	ელექტროენერჯის მიწოდება წყდება ითიშება ELSD მოწყობილობა, სავარაუდოდ დენის გაფონვის გამო	შეამოწმეთ ელექტროენერჯის წყარო, MCB გამთიშველები, წრედის ამომრთველები და ელექტროგაყვანილობა. შეამოწმეთ დენის გაფონვა და ხელახლა ჩართეთ ELSD მოწყობილობა თუ პრობლემა არ გადაიჭრა, დახმარებისთვის დაუკავშირდით ადგილობრივ უფლებამოსილ დისტრიბუტორს.
წყლის ნაკადი წყდება	შხაპის თავაკი დაბლოკილია ან დრეკადი შლანგი გადაგრეხილი ან დაბლოკილია. სისტემისთვის წყლის მიწოდება არ ხდება.	გაწმინდეთ ან შეცვალეთ შხაპის თავაკი, შეამოწმეთ, შლანგი მთელს სიგრძეზე. საჭიროებისამებრ შეცვალეთ. შეამოწმეთ წყლის მიწოდების სისტემა. წყლის სარქველი ღიაა? შეამოწმეთ, ხომ არაფერი უშლის ხელს წყლის დინებას.
გამოყენების დროს წყლის ტემპერატურა იმატებს და იკლებს	წყლის წნევა მინიმალურ ზღვარს ქვემოთაა.	გაზარდეთ ცხელი წყლის მიწოდება,
ცხელი წყალი არ მოდის მიუხედავად იმისა, რომ ცხელი წყლის ონკანი სრულადაა მოშვებული	სისტემას ელექტროენერჯია არ მიეწოდება წყლის ნაკადის ინტენსივობას არ მიუღწევია იმ დონემდე, რაც საჭიროა გამაცხელებელი ელემენტის აქტივაციისთვის.	შეამოწმეთ წრედის ამომრთველი და ასევე შეამოწმეთ ძაბვა ელექტროგაყვანილობის ბლოკში. გაწმინდეთ ფილტრის ეკრანი <ul style="list-style-type: none"> გათიშეთ წრედის ამომრთველი გახსენით ცხელი წყლის სარქველი დანადგარიდან წნევის გამოსაშვებად. ჩართეთ წრედის ამომრთველი.

ELECTRICAL WIRING / ЭЛЕКТРИЧЕСКАЯ СХЕМА / ЕЛЕКТРИЧНА СХЕМА
 Электр сымдары/ ელექტრო გაცვანილობა/

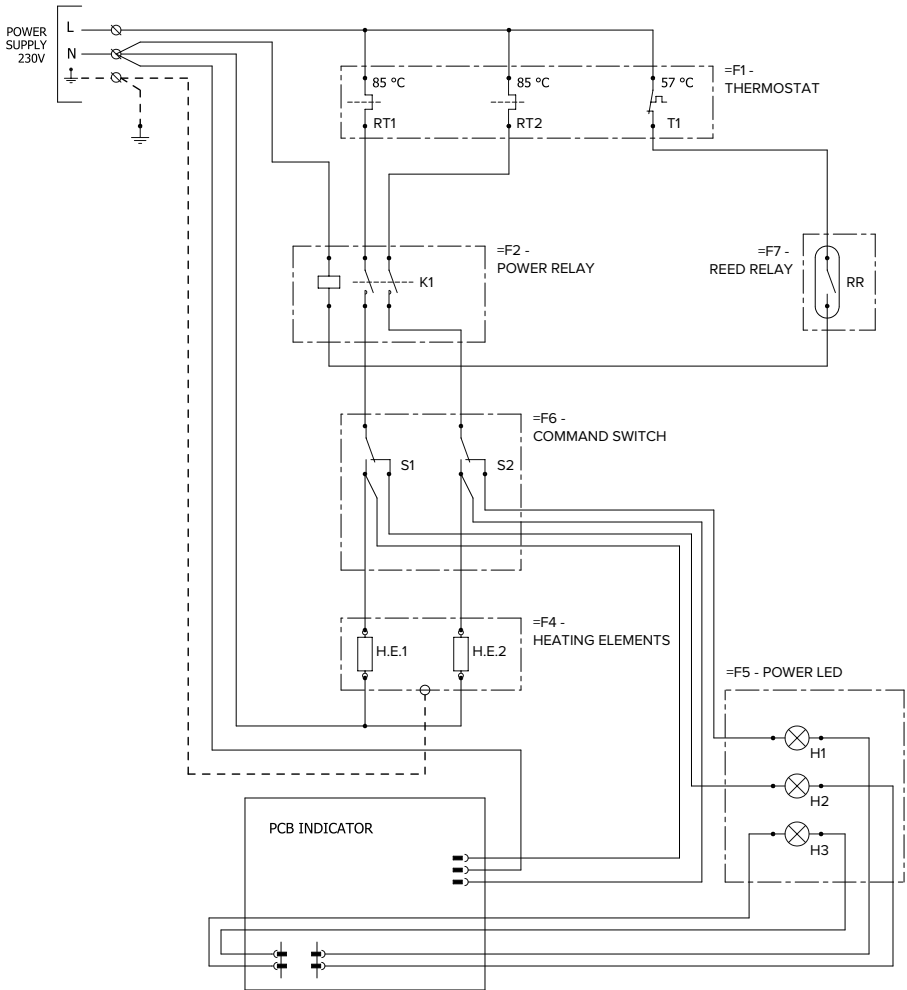
Up to 5.5 kW

I



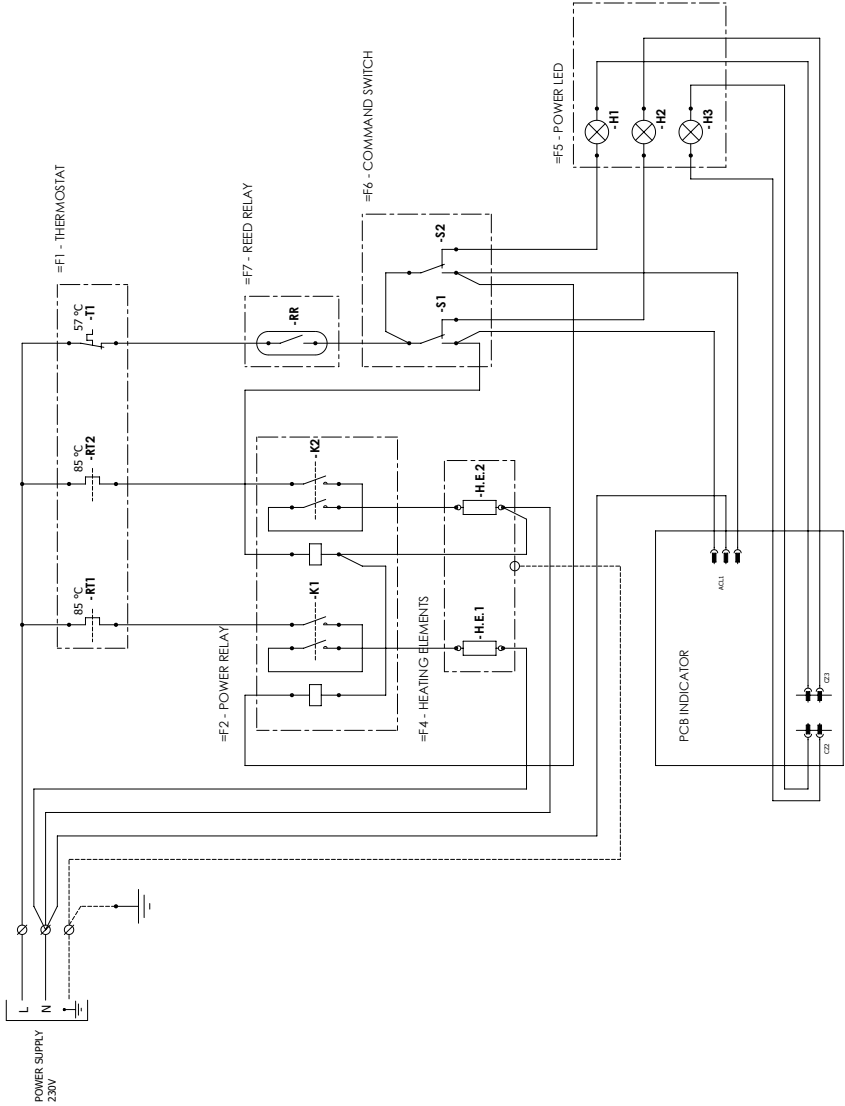
Up to 8 kW

II



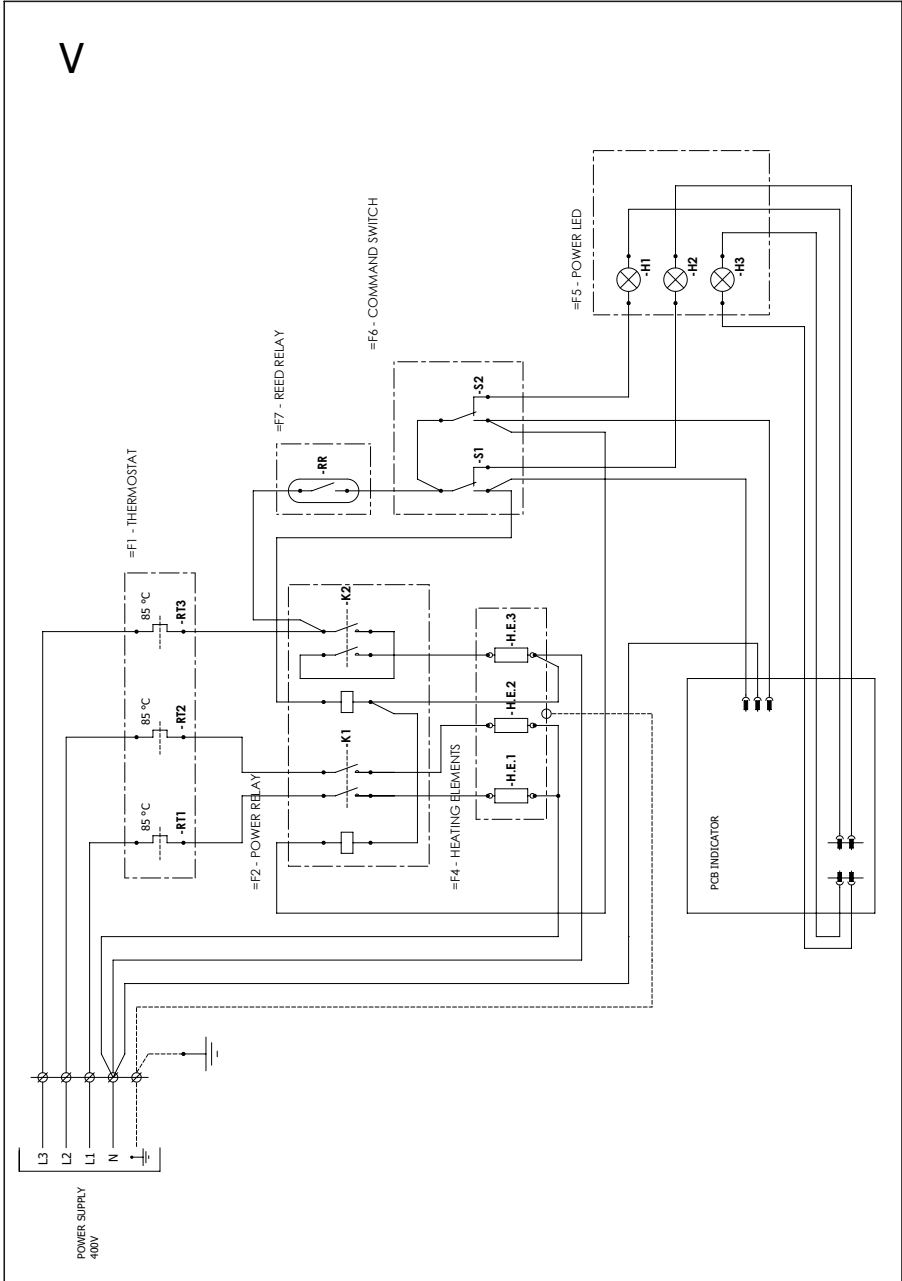
Up to 10 kW

III



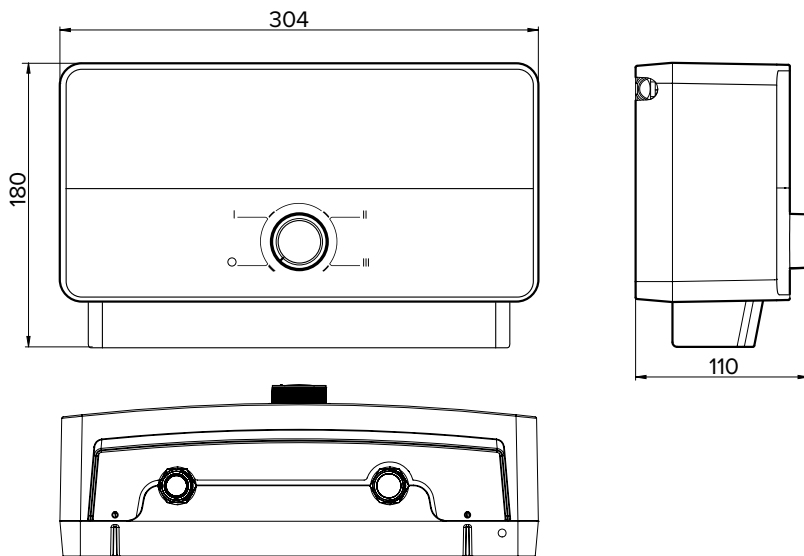
Up to 12 kW

V

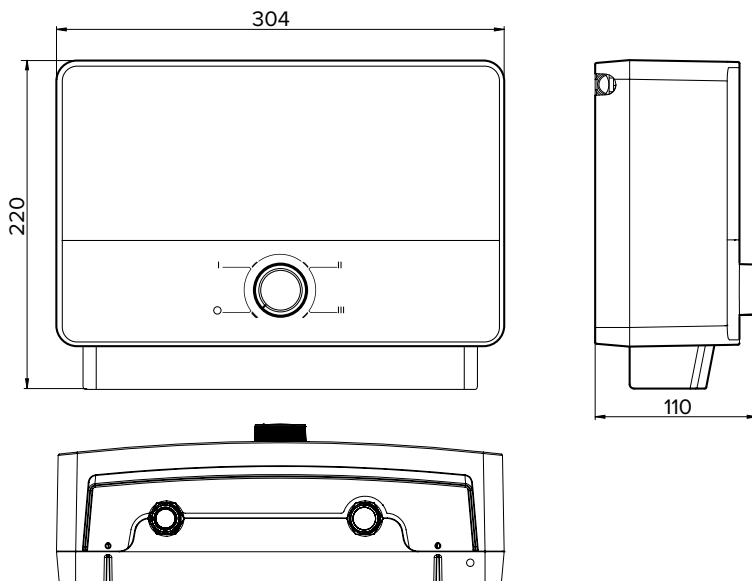


Product sizes / Размеры изделия / Розміри виробу/ Өнім өлшемдері
პროდუქტის ზომები

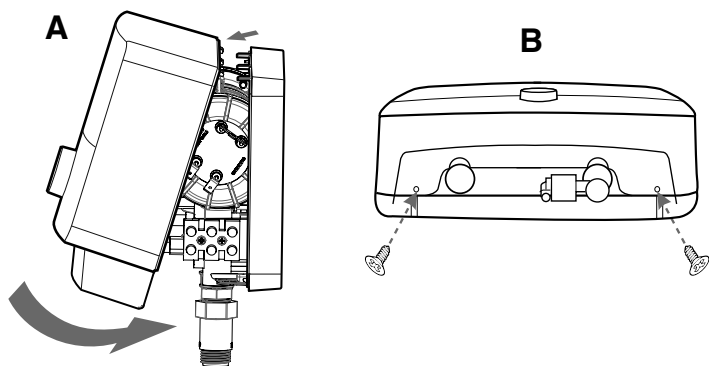
AURES M 6 - AURES M 7.7 - AURES M 8



AURES M 10.5 - AURES M 12

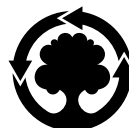


Close cover Steps / Порядок закрывания крышки/ Kroki zamykania pokrywy
Қақпақты жабу қадамдары / საფარის დამაგრების საფეხურები/



42001117103 - 07/2021

Ariston Thermo S.p.A.
Viale Aristide Merloni, 45
60044 Fabriano (AN)
Tel. (+39) 0732.6011
ariston.com



WE MAKE USE OF
RECYCLED PAPER